

Effective: January 01, 2019

AVIATION ILLUSTRATED SPARE PARTS REFERENCE CATALOG



WHELEN AEROSPACE TECHNOLOGIES

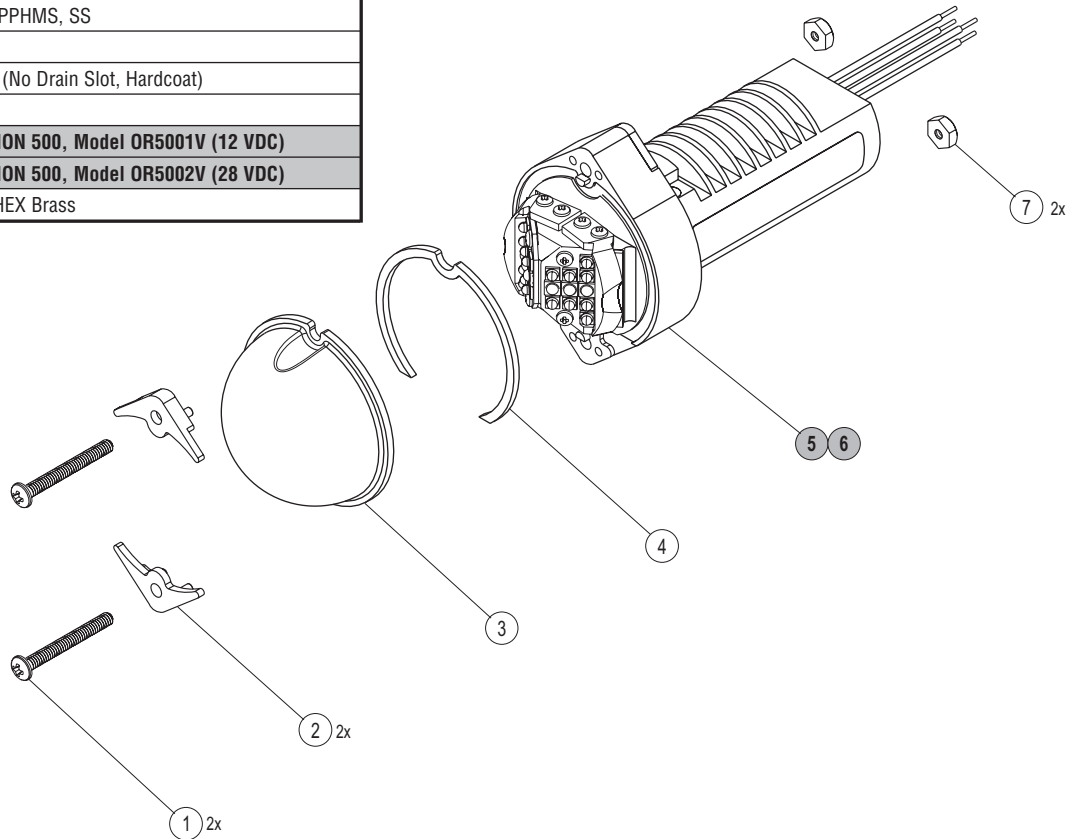
**SEE US ON THE ON THE WEB AT - www.flywat.com - INDEX ON PAGE 35
- PRICE LIST - FULL LINE CATALOG - HELICOPTER CATALOG - STC MANUAL**



ORION REPLACEMENT PARTS - TAIL/EMPENNAGE - COMBINATION ACL/POSITION

Figure 1 Model ORION™ 500 Taillight Parts

Item	WAT P/N	Description
1	14-040216-160	Screw, #4-40 x 1", PPHMS, SS
2	19-151080-100	Retainer (Iridite)
3	68-3951061A31	Lens, Model 90667 (No Drain Slot, Hardcoat)
4	38-0131364-00	Gasket, VHB Seal
5	01-0290717-00	Sub-Assembly, ORION 500, Model OR5001V (12 VDC)
6	01-0290717-01	Sub-Assembly, ORION 500, Model OR5002V (28 VDC)
7	13-040130-040	Nut, #4-40 x 1/4", HEX Brass



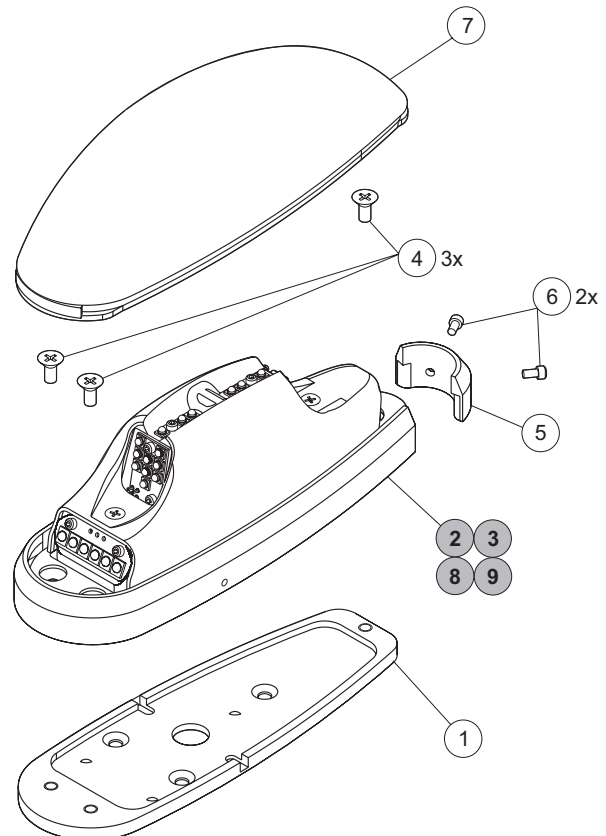
ORION 500 Taillight

Models: **OR5001V** (White), 12VDC
OR5002V (White), 28VDC

ORION REPLACEMENT - WINGTIP/HORIZONTAL STABILIZER - COMBINATION ACL/POSITION

Figure 2 Model ORION 600 Wingtip Parts

Item	WAT P/N	Description
1	06-171708-001	Baseplate, Model 90670 with Heli-Coils
2	01-0271759-01	Assembly, 12V LED Wingtip Light Green 71733
3	01-0271759-02	Assembly, 12V LED Wingtip Light Red 71733
4	14-0050581B03	Screw, 4-40 x 5/16" P100FH MS24693-C3B
5	19-171730-000	Retainer, Lens, Model 71733
6	14-026A36-03M	Screw, 2-56 x 3/16" Socket HD HEX with NYLOK
7	02-0371773-30	Lens Assembly with Hardcoat
8	01-0271759-11	Assembly, 28V LED Wingtip Light Green 71733
9	01-0271759-12	Assembly, 28V LED Wingtip Light Red 71733



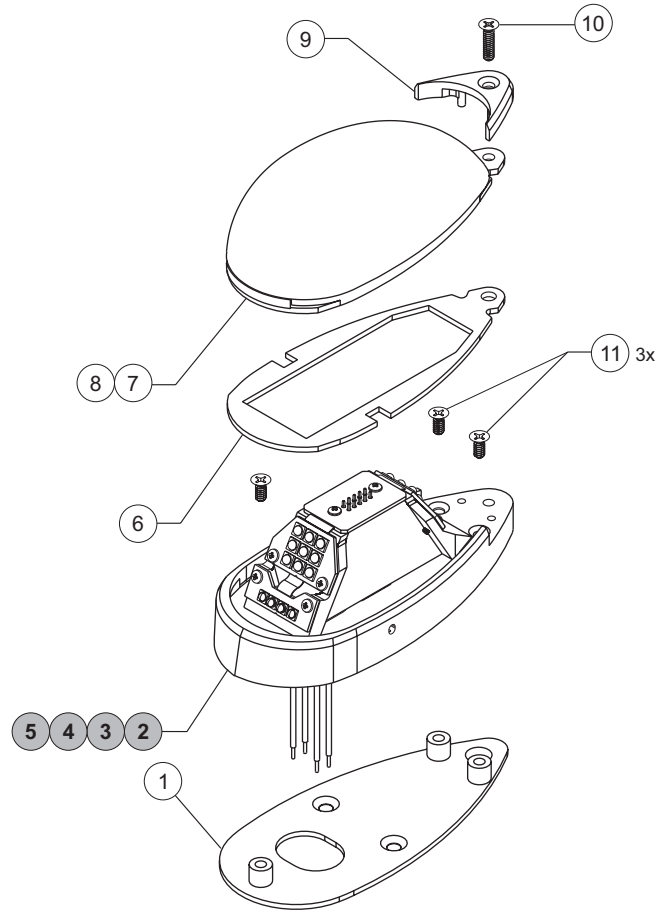
ORION 600 Wingtip PTA

Models: **OR6001G** (Green) / **OR6001R** (Red), 12VDC
OR6002G (Green) / **OR6002R** (Red), 28VDC

ORION REPLACEMENT - WINGTIP/HORIZONTAL STABILIZER - COMBINATION ACL/POSITION

Figure 3 Model ORION™ 650 Wingtip Parts

Item	WAT P/N	Description
1	07-551089-100	Adapter, Mounting (Heli-Coils Installed, CMPL)
2	01-0290729-01	Sub-Assembly, Model OR6501G, 12VDC Green
3	01-0290729-02	Sub-Assembly, Model OR6501R, 12VDC Red
4	01-0290729-11	Sub-Assembly, Model OR6502G, 28VDC Green
5	01-0290729-12	Sub-Assembly, Model OR6502G, 28VDC Red
6	38-0231382-00	Gasket, Lens, Model 90725
7	01-0251094-00	Lens-Assembly, 2" Gasket
8	01-0251094-01	Lens-Assembly, 1" Gasket
9	19-151088-000	Retainer, Lens, Model 90725
10	14-0050581-05	Screw, #4-40 x 7/16", P100FH CSNK (MS24693-C5)
11	14-0050581-02	Screw, #4-40 x 1/4", P100FH CSNK (MS24693-C2)



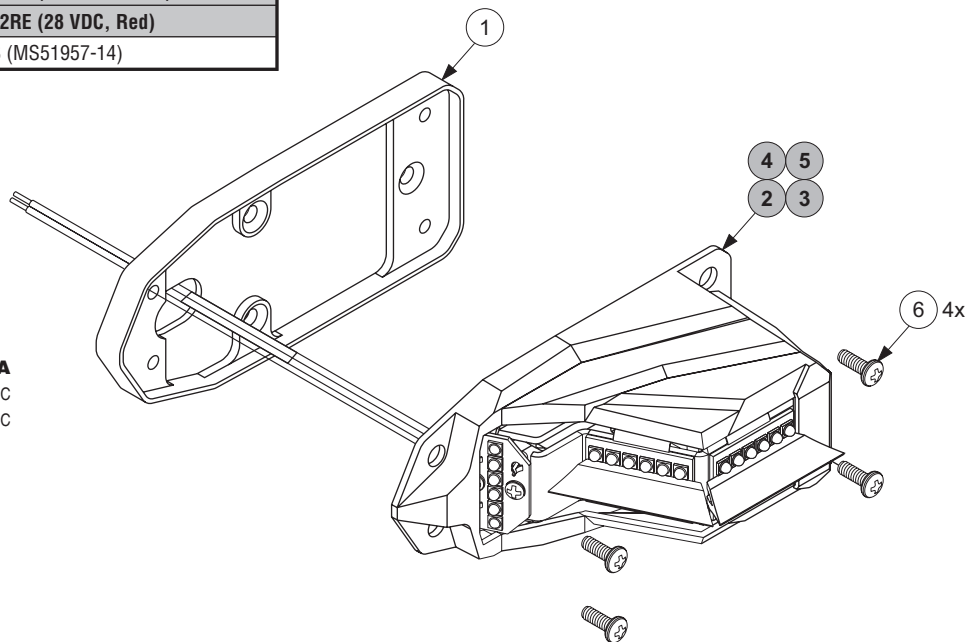
ORION 650 Series Wingtip PTA

Models: OR6501G (Green) / OR6501R (Red), 12VDC
 OR6502G (Green) / OR6502R (Red), 28VDC

ORION REPLACEMENT PARTS - EMBEDDED WINGTIP - COMBINATION ACL/POSITION

Figure 4 Model ORION 650E Embedded Parts

Item	WAT P/N	Description
1	07-771790-100	Mounting Plate, Model 90701 (Heli-Coils, CMPL)
2	01-0290714-01	Sub-Assembly, Model OR6501GE (12 VDC, Green)
3	01-0290714-02	Sub-Assembly, Model OR6501RE (12 VDC, Red)
4	01-0290714-11	Sub-Assembly, Model OR6502GE (28 VDC, Green)
5	01-0290714-12	Sub-Assembly, Model OR6502RE (28 VDC, Red)
6	14-0050505-14	Screw, #4-40 x 5/16", PPHMS (MS51957-14)

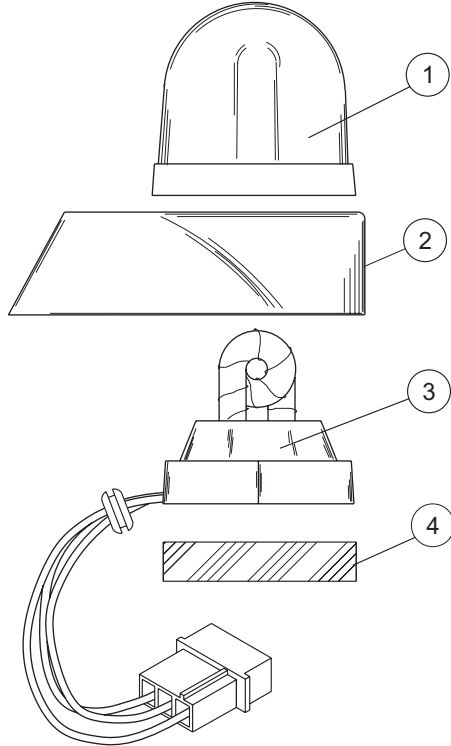


ORION 650E Series Embedded PTA

Models: OR6501GE (Green) / OR6501RE (Red), 12VDC
 OR6502GE (Green) / OR6502RE (Red), 28VDC

WINGTIP/HORIZONTAL STABILIZER REPLACEMENT PARTS - ANTI-COLLISION

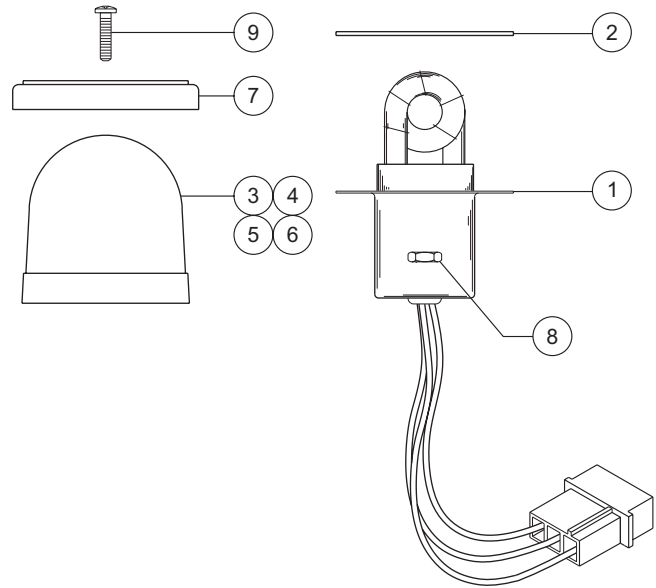
Figure 5		Model A650 Parts	
Item	WAT P/N	Model No.	Description
1	68-2290005-30	A612	Lens, Clear (A612)
2	19-170052-009	A626	Retainer, Lens (A626)
3	02-0250276-00	A610	Flashtube Assembly (A610)
4	38-0130106-00	A4273	A4273 Gasket



A650 Strobe Wing-Tip Anti-Collision & Position Light

Model: A650 (Clear), 14VDC

Figure 6		Model A625 Parts	
Item	WAT P/N	Model No.	Description
1	02-0370338-00	A627	A627 Flash Tube Assembly, used on A625 Series
2	38-0250074-00	A629	Lens Gasket, used on A625 Series
3	68-2290005-30	A612	Lens, Glass, Clear
4	68-2290005-34	A612C	Lens, Glass, Clear/Coated A612 (RFI Shielded)
5	68-2290005-50	A612R	Lens, Red
6	68-2290005-54	A612RC	Lens, Red/Coated
7	19-170057-009	A628	Lens Retainer, used on A625 Series
8	13-040130-040	---	#4-40 Hex Nut, Brass
9	14-0050505-17	---	#4-40 x 1/2" PPHMS (MS51957-17)

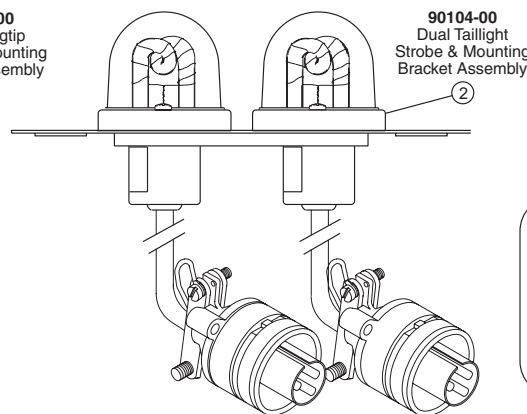
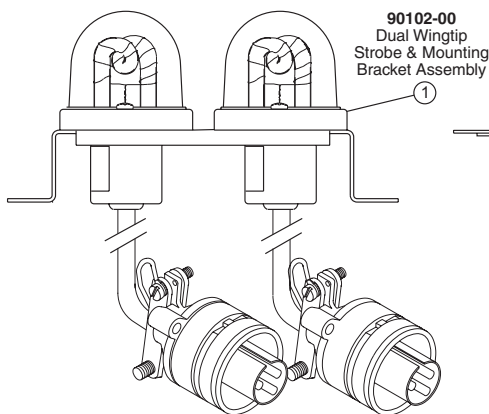


A625 Strobe Anti-Collision & Position Light

Models: A625 (Clear, 14VDC)
A625D (Clear, Shielded, 14VDC)

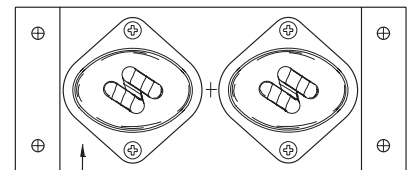
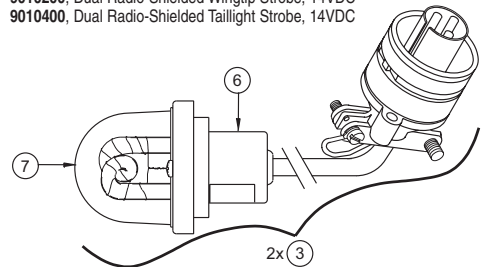
A625R (Red, 14VDC)
A650DR (Red, Shielded, 14VDC)

Figure 7		Model 90102 & 90104 Parts	
Item	WAT P/N	Model No.	Description
1	01-0790102-00	9010200	Strobe Light Module, Dual Wingtip Assembly
2	01-0790104-00	9010400	Tail Strobe Light Module, Dual Taillight Assembly
3	01-0770417-00	7041700	Strobe Light Assembly
4	07-0390109-00	---	90102 Mounting Bracket Assembly
5	07-0390110-00	---	90104 Mounting Bracket Assembly
6	02-0370418-00	7041800	Strobe Sub Assembly, used on 7041700
7	02-0350263-01	A628D	Lens & Retainer Assembly, Clear, Shielded, used on A625 Series

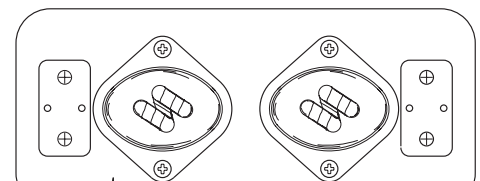


90102 & 90104 Position Light

Models: 9010200, Dual Radio-Shielded Wingtip Strobe, 14VDC
9010400, Dual Radio-Shielded Taillight Strobe, 14VDC



4 90102 (Top View, Wingtip Mount Bracket)

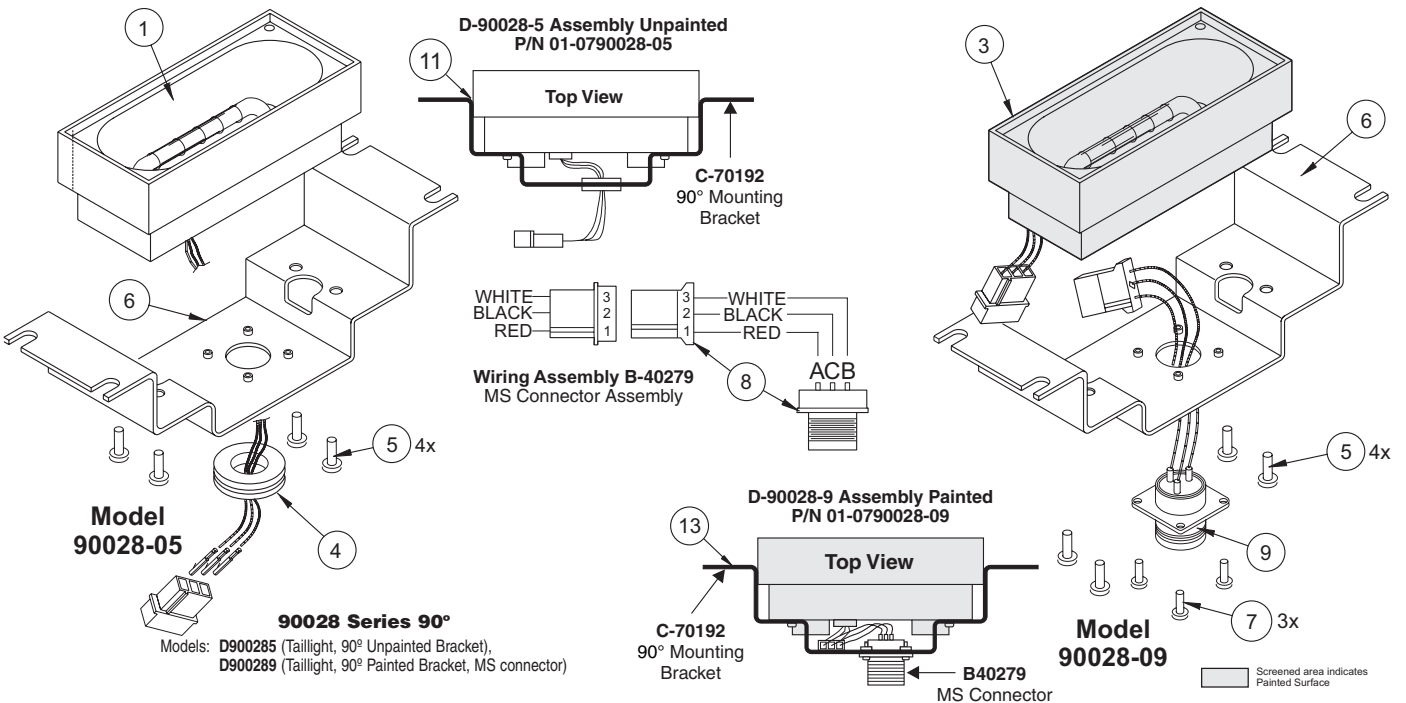
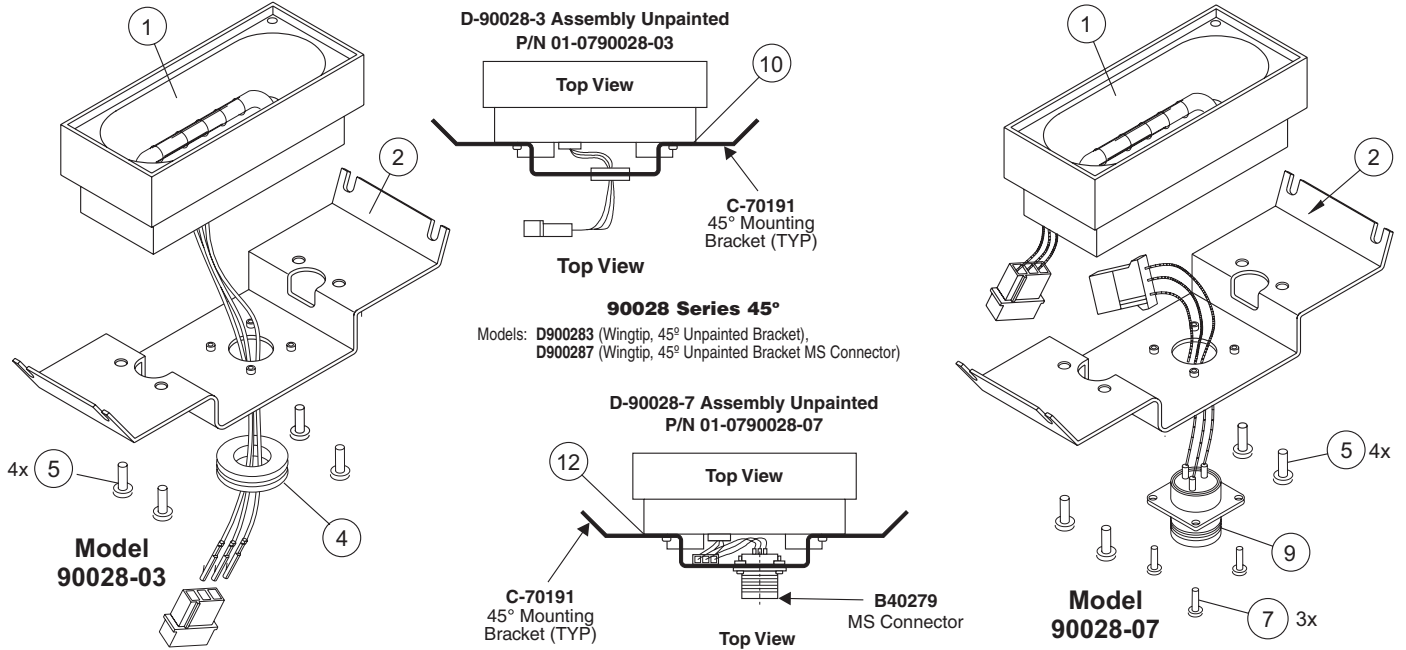


5 90104 (Top View, Tail Mount Bracket)

WINGTIP/HORIZONTAL STABILIZER REPLACEMENT PARTS - ANTI-COLLISION

Figure 8 Model 90028 Parts

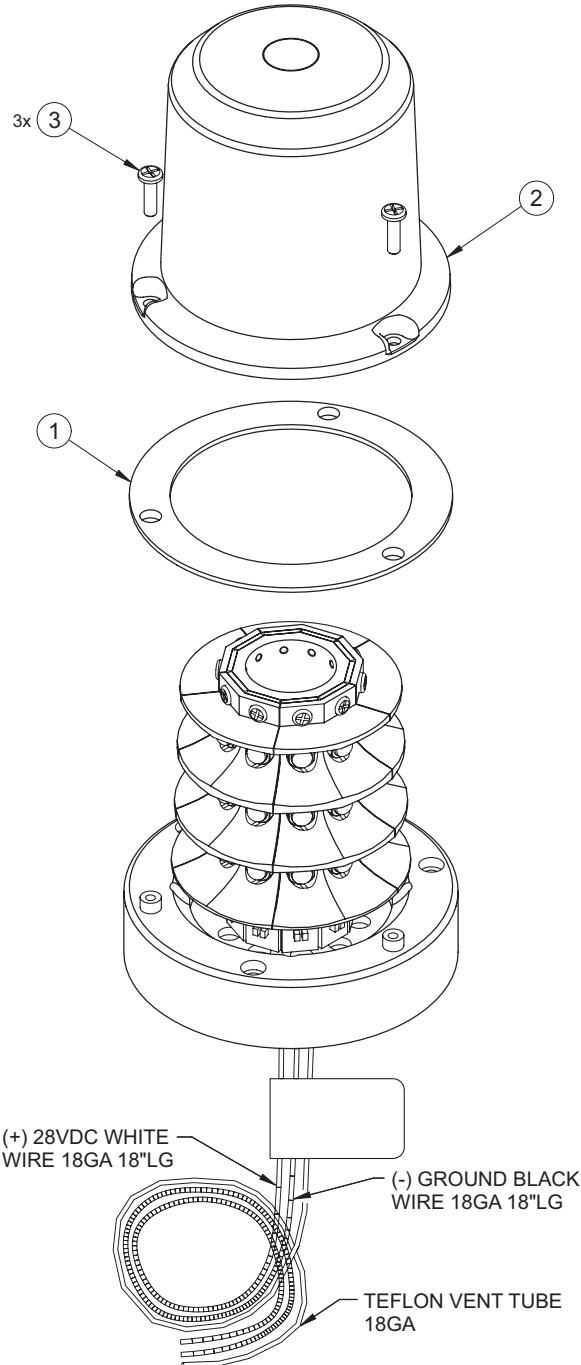
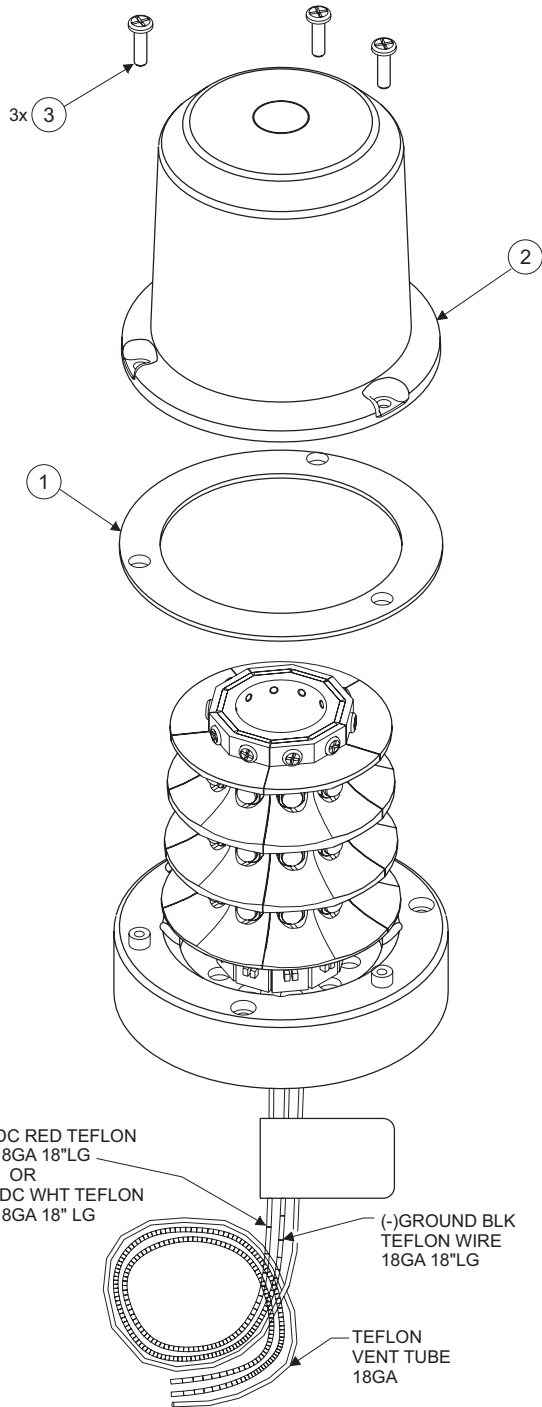
Item	WAT P/N	Model No.	Description	Item	WAT P/N	Model No.	Description
-	01-0790028-00	9002800	Strobe Flash Tube Assembly (Unpainted)	8	02-0240279-00	B40279	MS Connector Assembly
-	01-0790028-01	9002801	Strobe Flash Tube Assembly (Painted)	9	39-5903711-24	---	Connector - MS3102E10SL-3P
1	02-0290028-00	---	Sub-Assembly, Strobe Lighthead (No Paint)	10	01-0790028-03	D900283	Wingtip Lighthead Assembly with 45° Mounting Bracket (Unpainted)
2	07-270191-011	C70191	Mounting Bracket (45°)	11	01-0790028-05	D900285	Taillight Head Assembly w/ 90° Mounting Bracket (Unpainted)
3	02-0290028-P0	---	Sub-Assembly, Strobe Lighthead (Paint)	12	01-0790028-07	D900287	Wingtip Lighthead Assembly with 45° Mounting Bracket and MS Connector (Unpainted)
4	21-11122002-0	---	5/8" Grommet	13	01-0790028-09	D900289	Taillight Head Assembly with 90° Mounting Bracket and MS Connector (Painted)
5	14-0050504-43	---	8-32 x 3/8" PPHMS (MS51957-43)				
6	07-270192-015	C70192	Mounting Bracket (90°)				
7	14-0050505-15	---	4-40 x 3/8" PPHMS (MS51957-15)				



WINGTIP/HORIZONTAL STABILIZER REPLACEMENT PARTS - ANTI-COLLISION

Figure 9		Model 70900 Parts	
Item	WAT P/N	Model No.	Description
1	38-0250843-00	5084300	Gasket, Lens, LED Anti-Collision Light, used on 70905 & 70900 Series LED Beacon
2	68-4990257-30	9025730	Lens, LED Anti-Collision Light, Clear, Hard Coated, used on 70905 & 70900 Series LED Beacons
3	14-062216-05M	---	Screw, #6-32 x 5/16", PPHMS

Figure 10		Model 70905 Parts	
Item	WAT P/N	Model No.	Description
1	38-0250843-00	5084300	Gasket, Lens - LED Anti-Collision Light, used on 70905 & 70900 Series LED Beacon
2	68-4990257-30	9025730	Lens, LED Anti-Collision Light (Clear), used on 70905 & 70900 Series LED Beacon
3	14-062216-05M	---	Screw, #6-32 x 5/16", PPHMS



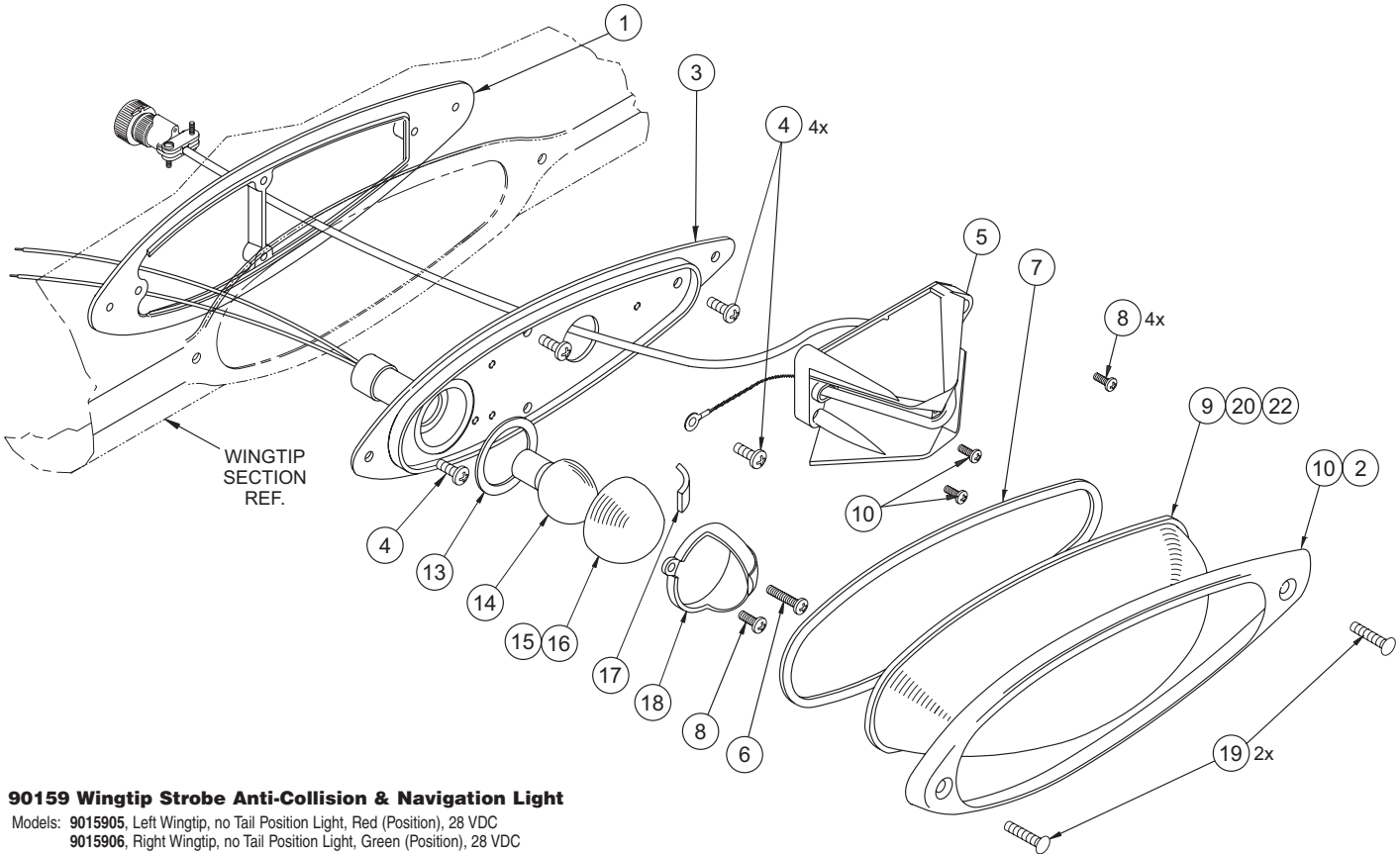
Model	Description	Cross Reference Model
7090001	Aviation Red, replaces existing remote mount units, 28 Volt	7108001
7090002	Aviation Red, replaces existing remote mount units, 14 Volt	7108051
7090003	Aviation Red, replaces existing remote mount units, 28 Volt	7108001
7090004	Aviation Red, 3-3/4" Dia. mounting pattern, 14 Volt	7108055
7090005	Aviation Red, 3-3/4" Dia. mounting pattern, 28 Volt	7108005

Model	Description	Cross Reference Model
7090501	LED Aviation Red, 5 hole mount, 28 Volt	7108008
7090502	LED Aviation Red, replaces existing remote mounted units, 28 Volt	7108001
7090503	LED Aviation Red, 3-3/4" Dia. mount, 28 Volt	7108015
7090504	LED Aviation Red, 3-3/4" Dia. mount, 28 Volt	7108007

WINGTIP/HORIZONTAL STABILIZER REPLACEMENT PARTS - COMBINATION ACL/POSITION

Figure 13 Model 90159 Citation Wingtip Replacement Parts

Item	WAT P/N	Model No.	Description	Used On Final
1	07-790157-001	90157001	Doubler Plate, Wingtip	—01, —02, —05, —06, —09, —10
2	19-190187-001	90187001	Retainer, Wing Tip Glass Lens, for 90159 Series	—5, —6, —7, —8, —9, —10, —11, —12
3	06-170600-000	70600000	Baseplate Assembly, Wingtip Light, for 90159 Series	-
4	14-0050620-65	---	#10-32 x 3/4" PPHMS	-
5	02-0270603-00	70603000	Strobe Flash Tube Assembly, Wingtip Light	All
6	14-0050503-32	---	Screw, 6-32 x 3/4" PPHSS (MS51957-32)	-
7	38-0270590-00	70590000	Gasket, Lens, 90159/90206	All
8	14-0050503-30	---	Screw, 6-32 x 1/2" PPHSS (MS51957-30)	-
9	68-4170581-3A	705813A	Clear Plastic Lens, for 90159	—01, —02, —03, —04
10	19-190154-001	---	Retainer, Plastic Lens	-
13	38-0230021-00	W1283	Gasket, W-1283/W-1285/A650	All
14	34-0428020-65	W129028	Lamp - W1290-28	All
15	68-4230020-40	W1284G	Lens, Position Light - Green (W1284G)	—02, —04, —06, —08, —10, —12
16	68-4230020-50	W1284R	Lens, Position Light - Red (W1284R)	—01, —03, —05, —07, —09, —11
17	38-0125020-00	---	1/8 x 1/2" FOAM PAD	-
18	11-270587-001	70587001	Retainer, Lens, Pos/Wingtip, 90159/90206	-
19	14-0050619-69	---	#10-32 x 1" Phillips FHMS	-
20	68-4170665-30	7066530	Lens, Clear Glass, Wingtip	—05, —06, —07, —08
22	68-4170665-34	7066534	Lens, Clear Glass, Wingtip, RFI Shielded	-



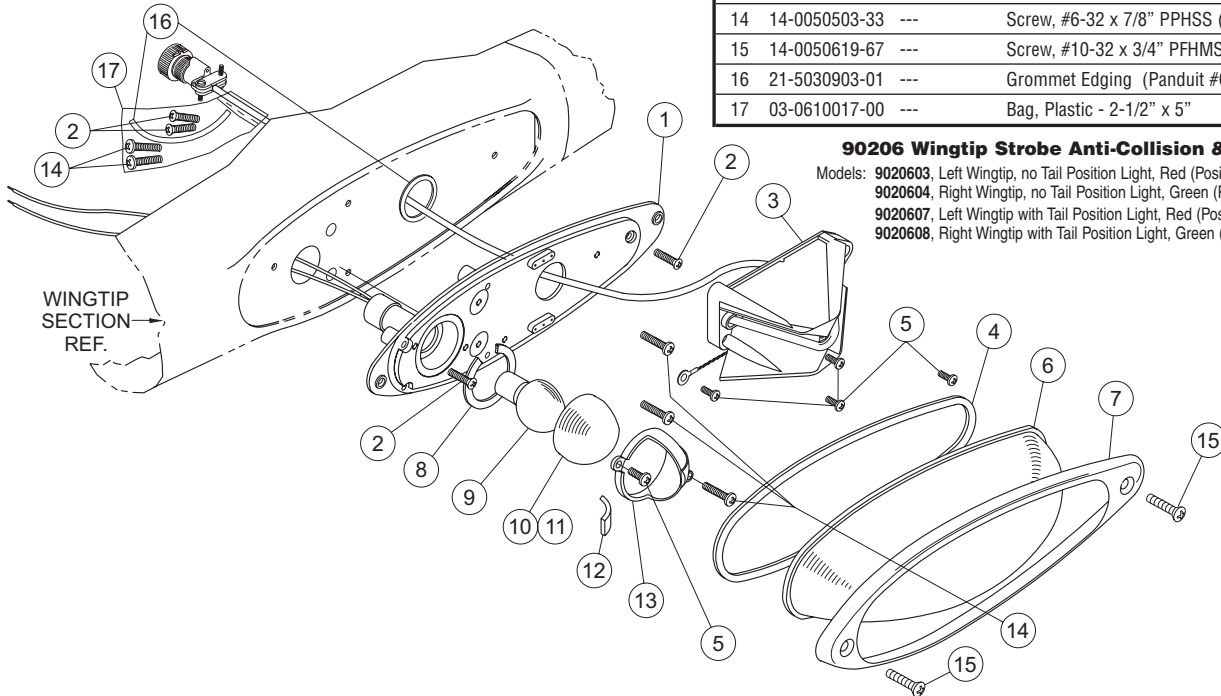
90159 Wingtip Strobe Anti-Collision & Navigation Light

Models: **9015905**, Left Wingtip, no Tail Position Light, Red (Position), 28 VDC
9015906, Right Wingtip, no Tail Position Light, Green (Position), 28 VDC

WINGTIP/HORIZONTAL STABILIZER REPLACEMENT PARTS - COMBINATION ACL/POSITION

Figure 14 Model 90206 Parts

Item	WAT P/N	Model No.	Description	Item	WAT P/N	Model No.	Description
1	06-170737-000	70737000	Base Plate Assembly, (Wingtip Light) 90206 Series	7	19-190314-00S	9031400S	Retainer, Lens - Polished with Seal, 90206 Series
2	14-0050508-32	---	Screw, 6-32 x 3/4" PFHSS (MS51959-32)	8	38-0230021-00	W1283	Gasket, Lens, Position Light, W-1283/W-1285/A650
3	02-0270603-00	7060300	Strobe Assembly (Wingtip) 90159 & 90206 Series	9	34-0428020-65	W129028	Lamp, Reflector 28V, 26W (W1290-28)
4	38-0270590-00	7059000	Gasket, Lens, (Wingtip) 90159 & 90206 Series	10	68-4230020-40	W1284G	Lens, Position Light, Green
5	14-0050503-30	---	Screw, 6-32 x 1/2" PPHMS (MS51957-30)	11	68-4230020-50	W1284R	Lens, Position Light, Red
6	68-4170665-34	7066534	Lens, Clear Glass, (RFI Shielded), 90206 Series	12	38-0125020-00	---	1/8" x 1/2" Foam Pad
				13	11-270587-001	70587001	Lens Retainer (Position/Wingtip) 90159 & 90206
				14	14-0050503-33	---	Screw, #6-32 x 7/8" PPHSS (MS51957-33)
				15	14-0050619-67	---	Screw, #10-32 x 3/4" PFHMS
				16	21-5030903-01	---	Grommet Edging (Panduit #GEE62FR-C)
				17	03-0610017-00	---	Bag, Plastic - 2-1/2" x 5"

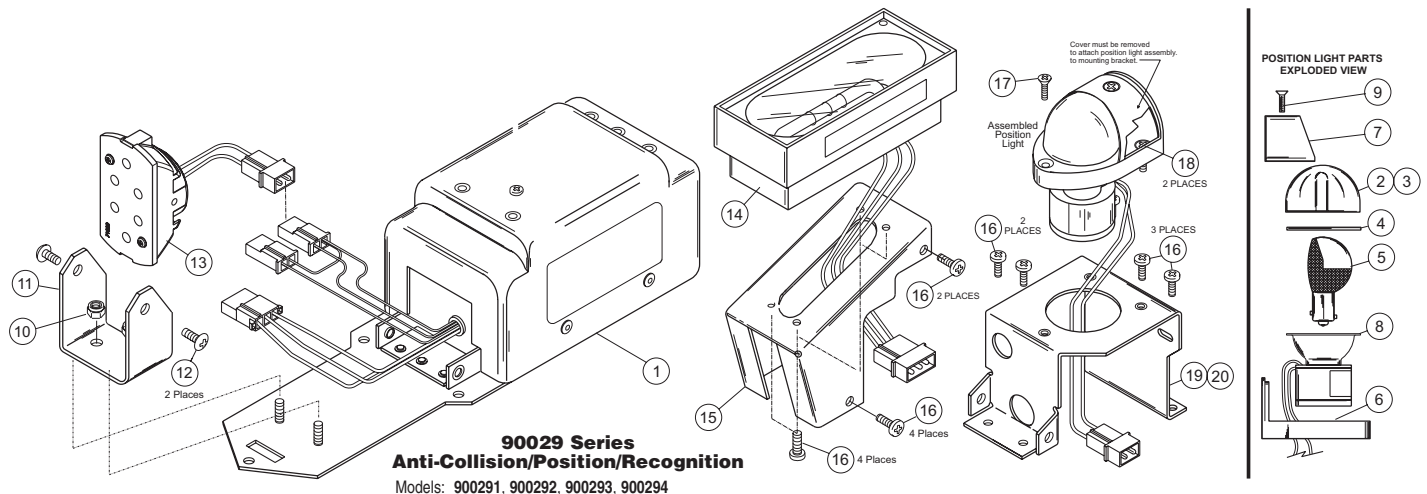


90206 Wingtip Strobe Anti-Collision & Navigation Light

Models: 9020603, Left Wingtip, no Tail Position Light, Red (Position), 28 VDC
 9020604, Right Wingtip, no Tail Position Light, Green (Position), 28 VDC
 9020607, Left Wingtip with Tail Position Light, Red (Position)/White (Tail), 28 VDC
 9020608, Right Wingtip with Tail Position Light, Green (Position)/White (Tail), 28 VDC

Figure 15 Model 90029 Parts

Item	WAT P/N	Model No.	Description	Item	WAT P/N	Model No.	Description
1	01-0790120-01	9012000	Power Supply	11	07-250188-000	---	Mounting Bracket Recognition Light
2	68-4230020-50	W1284R	Glass Dome (Red) W1284R	12	14-102316-060	---	#10-32 x 3/8" Phillips Truss Head
3	68-4230020-40	W1284G	Glass Dome (Green) W1284G	13	01-0771898-00	7189800	LED Recognition Light Assembly, 28V
4	38-0230021-00	W1283	Gasket, Dome W1283	14	01-0790028-00	9002800	Strobe Light Head (Unpainted)
5	34-0428020-65	W129028	W1290-28 Bulb (28 Volt)	15	07-790035-002	---	Strobe Light Mounting Base, Iridited
6	54-590021-000	---	Base Plate (White)	16	14-0050504-43	---	#8-32 x 3/8" Phillips PHMS S.S. (MS51957-43)
7	19-150089-001	W1252	Retainer (Natural Aluminum)	17	14-0050508-30	---	#6-32 x 1/2" Phillips FHMS (MS51959-30)
8	02-0350102-03	---	Lamp Socket Assembly (8 Leads)	18	14-0050508-28	---	#6-32 x 3/8" Phillips FHMS
9	14-0050508-32	---	#6-32 x 3/4" Phillips FHMS	19	07-790034-001	---	Mounting Bracket Position Light (Opp.)
10	13-102111-306	---	#10-32 Self Locking Hex Nut (MS21044N3)	20	07-790064-001	---	Mounting Bracket Position Light



90029 Series Anti-Collision/Position/Recognition
 Models: 900291, 900292, 900293, 900294

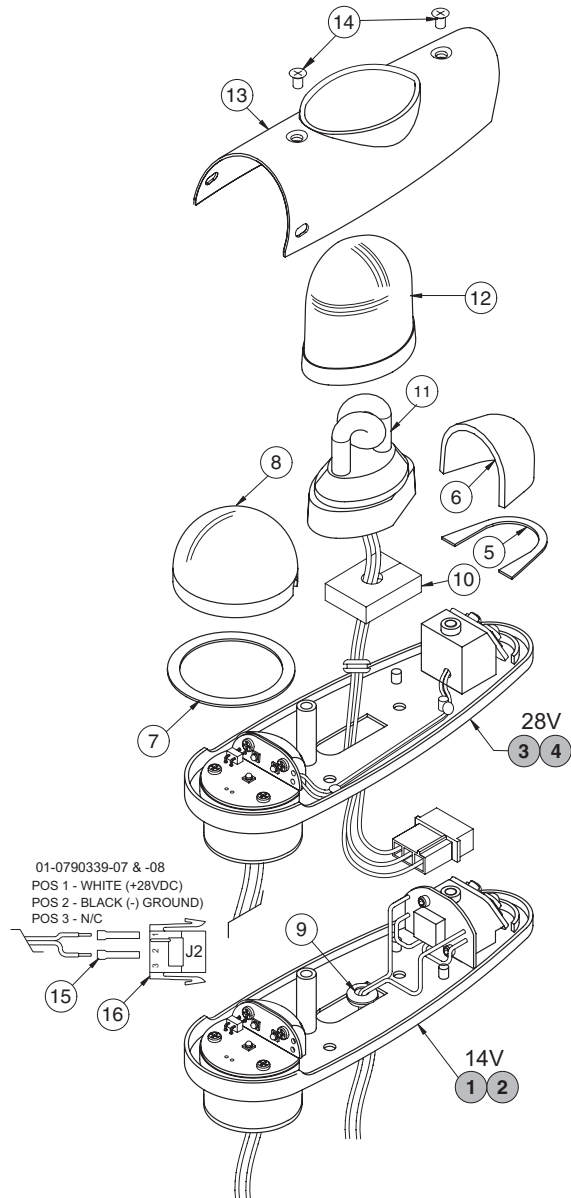
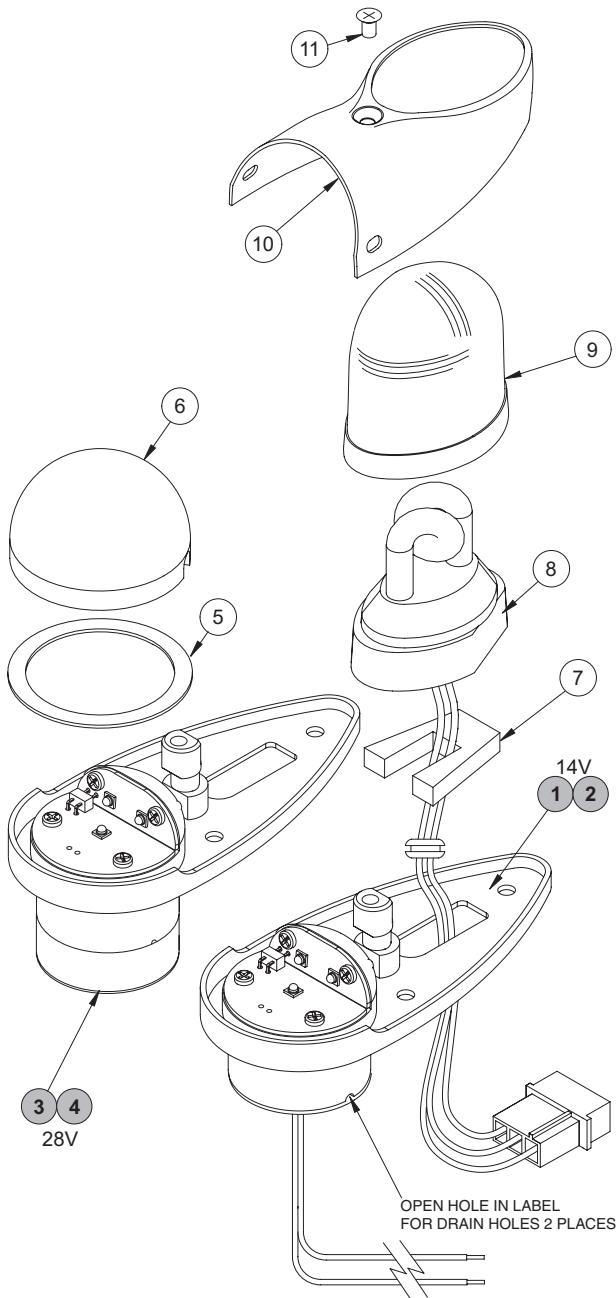
WINGTIP/HORIZONTAL STABILIZER REPLACEMENT PARTS - COMBINATION ACL/POSITION

Figure 16 Model 71110 Parts

Item	WAT P/N	Model No.	Description
1	01-0271757-01	---	71110 Assembly, Position/Strobe Light, 14V, Green
2	01-0271757-02	---	71110 Assembly, Position/Strobe Light, 14V, Red
3	01-0271757-03	---	71110 Assembly, Position/Strobe Light, 28V, Green
4	01-0271757-04	---	71110 Assembly, Position/Strobe Light, 28V, Red
5	38-0231440-00	---	Gasket, Lens - LED Position Lights
6	68-3950902A30	5090230	Lens, Clear Forward Position Light, Hardcoat
7	38-0130107-00	A4274	Gasket, A427- 4 1/4" Thick Spacer
8	36-0050626-01	5062601	Assembly, Flashtube, 6.00" Leads with Grommet
9	68-2290005-34	A612C	Lens, Clear/Coated, A612C (RFI Shielded)
10	19-171122-200	---	Retainer, Lens, Model 71110 Series
11	14-0050508-27	---	Screw, 6-32 x 5/16" PFHMS CSNK MS51959-27

Figure 17 Model 90340 () Parts

Item	WAT P/N	Model No.	Description
1	01-0271789-01	---	Assembly, Anti-Collision/Position Light, Green (14V)
2	01-0271789-02	---	Assembly, Anti-Collision/Position Light, Red (14V)
3	01-0271789-03	---	Assembly, Anti-Collision/Position Light, Green (28V)
4	01-0271789-04	---	Assembly, Anti-Collision/Position Light, Red (28V)
5	38-0250901-00	---	Gasket, Tail Position Light Model 90340
6	68-3950903A30	50903A30	Lens, Clear Tail Position Light, Hardcoat
7	38-0230021-01	---	Gasket, Position Light Split
8	68-3950902A30	5090230	Lens, Clear Forward Position Light, Hardcoat
9	21-11061209-0	---	Grommet, 3/16" ID 1/20" D 9/32" Thick
10	38-0130878-01	---	Gasket, Flashtube, A600 (.375")
11	36-0050626-01	5062601	Assembly, Flashtube 6.00" Leads with Grommet
12	68-2290005-34	A612C	Lens, Clear/Coated A612C (RFI Shielded)
13	19-170049-010	---	Retainer, A600 Lens, Complete
14	14-0050508-27	---	Screw, 6-32 5/16" PFHMS CSNK MS51959-27
15	39-0501326-04	---	Socket, 20-14 Awg, .084" COMM Mate-N-Lok
16	39-0403811-04	---	Housing, 3 Position Socket Panel Mount

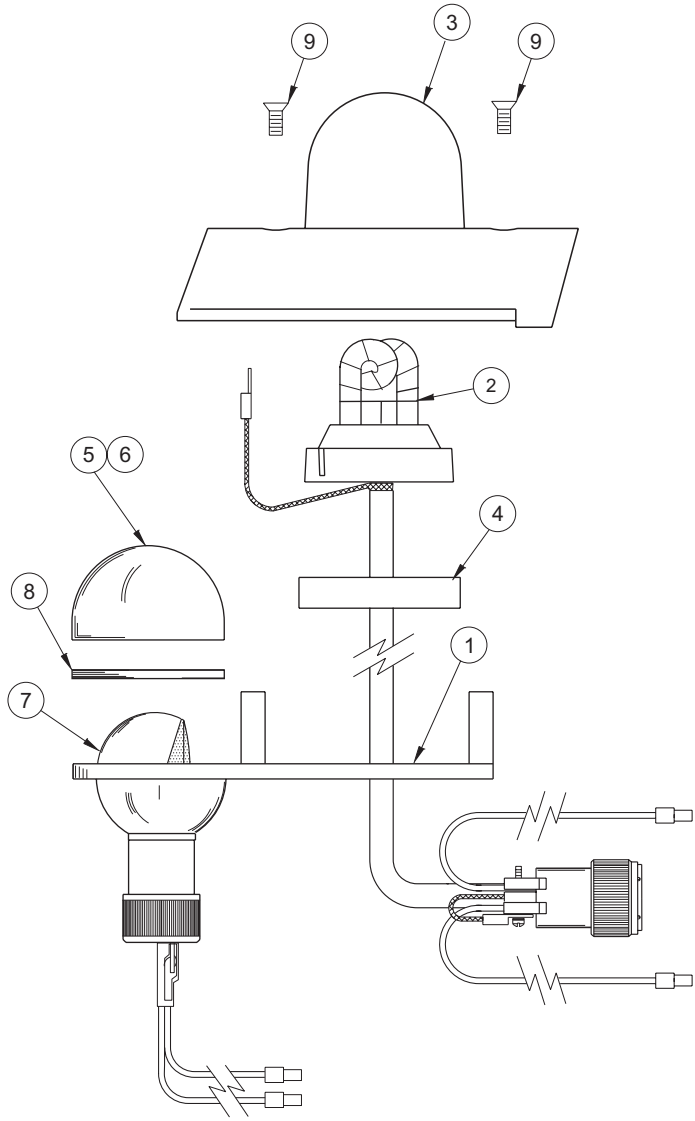


71110 Series Strobe Anti-Collision/LED Position Light Assembly
 Models: 7111001, Green, 14V, RFI Shielded 7111003, Green, 28V, RFI Shielded
 7111002, Red, 14V, RFI Shielded 7111004, Red, 28V, RFI Shielded

90340 () Series Strobe Anti-Collision/LED Position Light Assembly
 Models: 9034001, Wingtip Strobe/LED Position, Green, 14V, RFI Shielded
 9034002, Wingtip Strobe/LED Position, Red, 14V, RFI Shielded

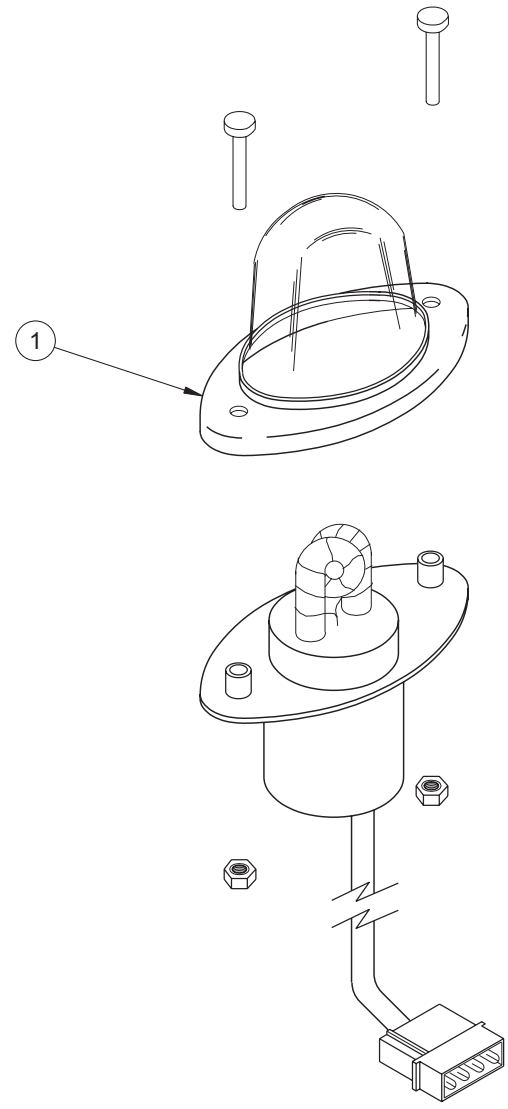
WINGTIP/HORIZONTAL STABILIZER REPLACEMENT PARTS - COMBINATION ACL/POSITION

Figure 18 Model 90193 () Parts			
Item	WAT P/N		Description
1	02-0350665-00	5066500	Base Plate Assembly, 90193 Wingtip Light
2	36-0050652-00	5065200	Flash Tube Assembly (JPATS)
3	02-0350667-35	5066735	Retainer/Lens Assembly, 90193
4	38-0130878-00	3087800	Gasket, Flashtube JPAT, .250" thick, 90193 Strobe Tube
5	68-4230020-40	W1284G	Lens, Green Position Light (W1284-G)
6	68-4230020-50	W1284R	Lens, Red Position Light (W1284-R)
7	34-0428020-65	W129028	Lamp, Reflector 28V, 26W (W1290-28)
8	38-0230021-00	W1283	Gasket, Position Light Lens, W-1283/W-1285/A650
9	14-0050563-25	---	#6-32 x 5/16" 100° CSK PFHMS



90193 () Series Strobe Anti-Collision/LED Position Light Assembly
 Models: 9019301, Anti-Collision/Position Light Assembly (Red)
 9019300, Anti-Collision/Position Light Assembly (Green)

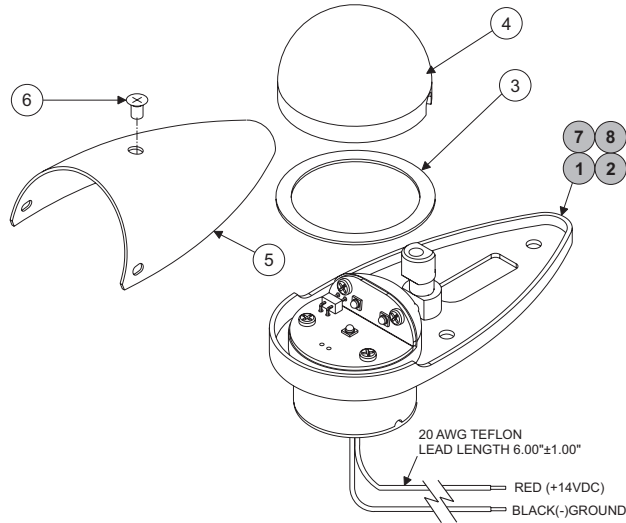
Figure 19 Model 70818 Parts			
Item	WAT P/N	Model No.	Description
---	14-0050503-31	---	Screw, 6-32 x 5/8" Phillips PHMS, (MS51957-31)
1	02-0350804-00	5080400	Lens/Retainer Assembly, 70818 Series
---	13-0050562-06	---	Nut, 6-32 Self Locking, (MS21044C06)



Model 70818 Strobe Anti-Collision Light Assembly
 Part # Description Cross Reference #
 Model: 7081800 Strobe Anti-Collision Light Assembly (White) 71994 LED Series

WINGTIP/HORIZONTAL STABILIZER REPLACEMENT PARTS - POSITION LIGHTS

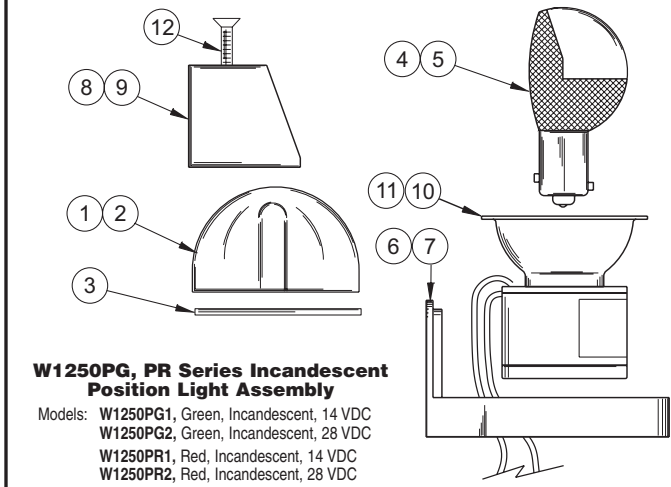
Figure 20 Model 71105 () Parts		
Item	WAT P/N	Model No. Description
1	01-0271747-01	--- Assembly, Position Light, 14V, Green, 71105 Series
2	01-0271747-02	--- Assembly, Position Light, 14V, Red, 71105 Series
3	38-0231440-00	--- Gasket, Lens - LED Position Light
4	68-3950902A30	5090230 Lens, Clear Forward Position Light Hardcoat
5	19-150002-020	--- Retainer, Forward Position Lens, Clear, Iridite
6	14-0050508-27	5050827 Screw, 6-32 5/16" PFHMS CSNK MS51959-27
7	01-0271747-03	--- Assembly, Position Light, 28V, Green, 71105 Series
8	01-0271747-04	--- Assembly, Position Light, 28V, Red, 71105 Series



71105 Series LED Position Light Assembly

Models: 7110501, Green LED, 14 VDC 7110503, Green LED, 28 VDC
 7110502, Red LED, 14 VDC 7110504, Red LED, 28 VDC

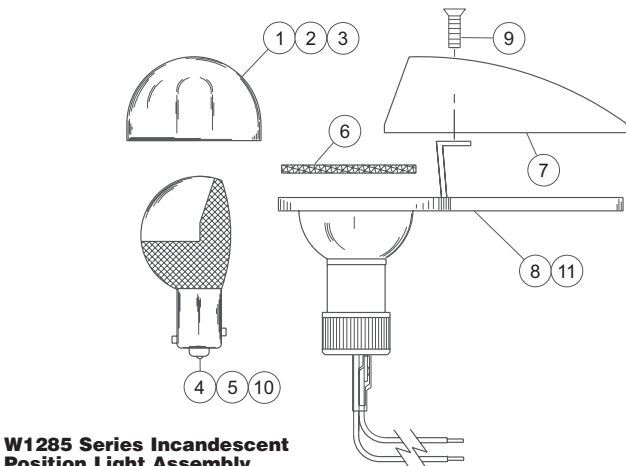
Figure 21 Model W1250PG, PR Parts		
Item	WAT P/N	Model No. Description
1	68-4230020-50	W1284R Glass Dome, (Red) Position Light
2	68-4230020-40	W1284G Glass Dome, (Green) Position Light
3	38-0230021-00	W1283 Gasket, Dome, W-1283/W-1285/A650
4	34-0428020-65	W129028 W1290-28 Lamp, W1290 28 Volt, 26 Watt
5	34-0414020-65	W129014 W1290-14 Lamp, W1290 14 Volt, 26 Watt
6	54-590021-000	--- Base Plate (White)
7	54-690021-000	W1251B Base Plate (Black)
8	19-150089-001	W1252 Retainer (Natural Aluminum) W1250 Series
9	19-150089-108	W1252B Retainer (Black Anodized) W1250 Series
10	02-0350102-00	W126012 Lamp Socket Assembly (12 Leads)
11	02-0350102-02	--- Lamp Socket Assembly (41 Leads)
12	14-0050508-32	--- #6-32 x 3/4" Phillips FHMS (MS51959-32)



W1250PG, PR Series Incandescent Position Light Assembly

Models: W1250PG1, Green, Incandescent, 14 VDC
 W1250PG2, Green, Incandescent, 28 VDC
 W1250PR1, Red, Incandescent, 14 VDC
 W1250PR2, Red, Incandescent, 28 VDC

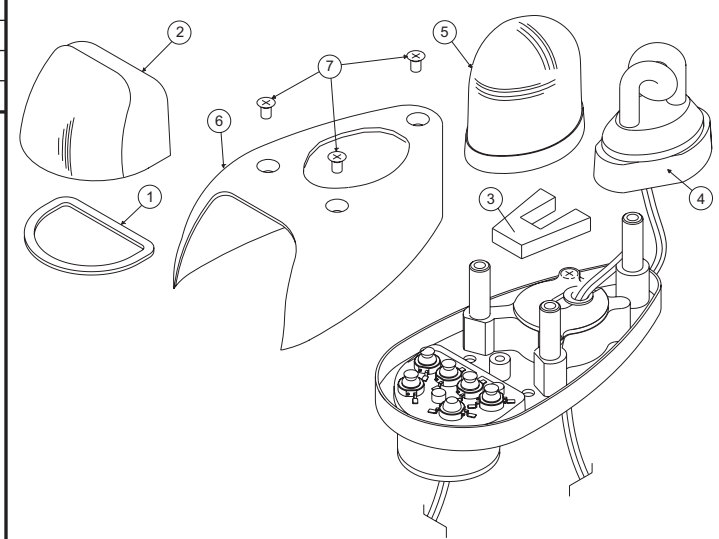
Figure 22 Model W1285 Parts		
Item	WAT P/N	Model No. Description
1	68-4230020-30	W1284C Lens, Clear
2	68-4230020-40	W1284G Lens, Green, Position Light
3	68-4230020-50	W1284R Lens, Red, Position Light
4	34-0428020-65	W129028 W1290-28, 28 Volt, 26 Watt Lamp
5	34-0414020-65	W129014 W1290-14, 14 Volt 26 Watt Lamp
6	38-0230021-00	W1283 Gasket, W-1283/W-1285/A650
7	19-150002-009	W1282 Lens Retainer, used on W1285 Series
8	02-0350003-01	W12852 Base Plate Assembly, Position Light
9	14-0050508-27	--- #6-32 x 5/16" Phillips FHMS (MS51959-27)
10	34-0070373-02	W628 Lamp, W628, 26.5V 26W
11	02-0350003-02	--- Base Plate Assembly (20 Leads)



W1285 Series Incandescent Position Light Assembly

Models: W1285PG1, Green, Incandescent, 14 VDC W1285PG2, Green, Incandescent, 28 VDC
 W1285PR1, Red, Incandescent, 14 VDC W1285PR2, Red, Incandescent, 28 VDC

Figure 23 Model 70946 Parts		
Item	WAT P/N	Model No. Description
1	38-0250883-00	5088300 Gasket, Lens, Model 70946
2	68-2270911-31	7091131 Lens, Clear Glass Metalized
3	38-0130107-00	A4274 Gasket, A427-4 1/4" Thick Spacer
4	36-0050628-00	--- Assembly, Flashtube
5	68-2290005-34	A612C Lens, Clear/Coated, A612C (RFI Shielded)
6	19-170927-009	7092700 Retainer, Lens Wingtip Strobe Finished/Complete
7	14-0050563-24	--- Screw, 6-32 x 1/4" P100FH/CSNK MS24693C24

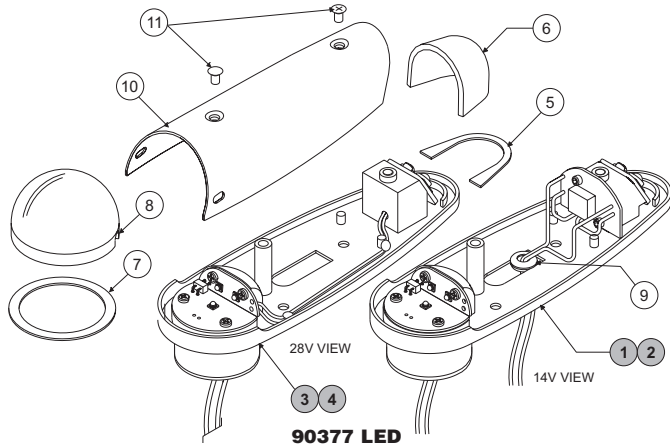


70946 Series LED/Strobe, Forward Position Light Assembly

Models: 7094601, Green LED/White Strobe, 28 VDC
 7094602, Red LED/White Strobe, 28 VDC

WINGTIP/HORIZONTAL STABILIZER REPLACEMENT PARTS - POSITION LIGHTS

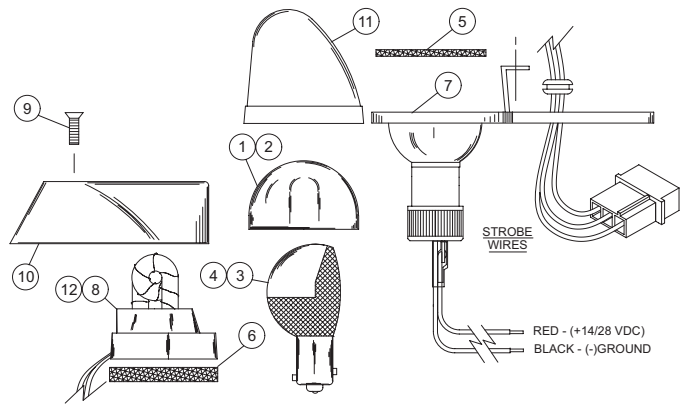
Figure 24 Model 90377 Parts		
Item	WAT P/N	Description
1	01-0271789-01 ---	Assembly, Position Light Green (14V)
2	01-0271789-02 ---	Assembly, Position Light Red (14V)
3	01-0271789-03 ---	Assembly, Position Light Green (28V)
4	01-0271789-04 ---	Assembly, Position Light Red (28V)
5	38-0250901-00 ---	Gasket, Tail Position Light
6	68-3950903A30 50903A30	Lens, Clear Tail Position Light, Hardcoat
7	38-0230021-01 ---	Gasket, Position Light, Split
8	68-3950902A30 5090230	Lens, Clear Forward Position Light, Hardcoat
9	21-11091202-0 ---	Grommet, 3/8" #905
10	19-170050-010 ---	Retainer
11	14-0050508-27 ---	Screw, 6-32 5/16" PFHMS CSNK MS51959-27



**90377 LED
Forward Position /Aft Nav Light Series**

Models: 9037701, Green LED, 14 VDC 9037703, Green LED, 28 VDC
 9037702, Red LED, 14 VDC 9037704, Red LED, 28 VDC

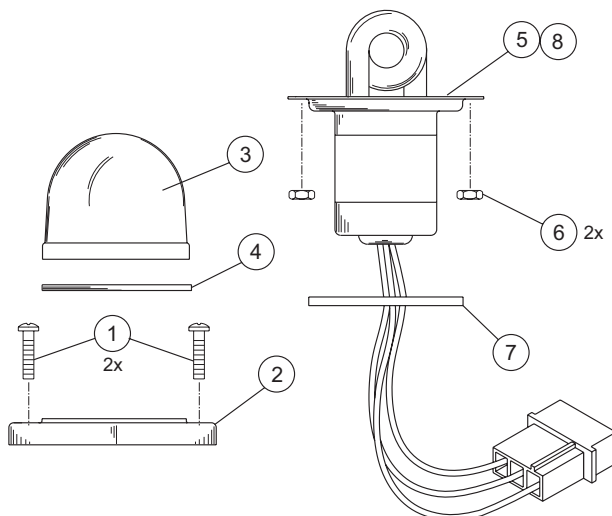
Figure 25 Model A429 Parts		
Item	WAT P/N	Description
1	68-4230020-50 W1284R	Lens, Red Position Light
2	68-4230020-40 W1284G	Lens, Green Position Light
3	34-0428020-65 W129028	W1290-28, 28 Volt, 26 Watt Lamp
4	34-0414020-65 W129014	W1290-14, 14 Volt, 26 Watt Lamp
5	38-0230021-00 W1283	Gasket, W-1283/W-1285/A650
6	38-0130106-00 A4273	Gasket, A427-3 1/8" Thick
7	02-0350003-01 W12852	Position Light Baseplate Assembly
8	02-0250274-00 A427	Flash Tube Assembly, 12"±1.00" Leads
9	14-0050508-27 ---	#6-32 x 5/16" Phillips FHMS (MS51959-27)
10	19-190000-009 A426	Lens Retainer
11	68-4290001-30 A428	Lens, Flashtube Wingtip Lens for A427
12	02-0250274-01 ---	Flash Tube Assembly 6.00"±1.00" Leads



A429 PG/PR Wing Tip Strobe Series

Models: A429PG14, Green, 14 VDC A429PG28, Green, 28 VDC
 A429PR14, Red, 14 VDC A429PR28, Red, 28 VDC

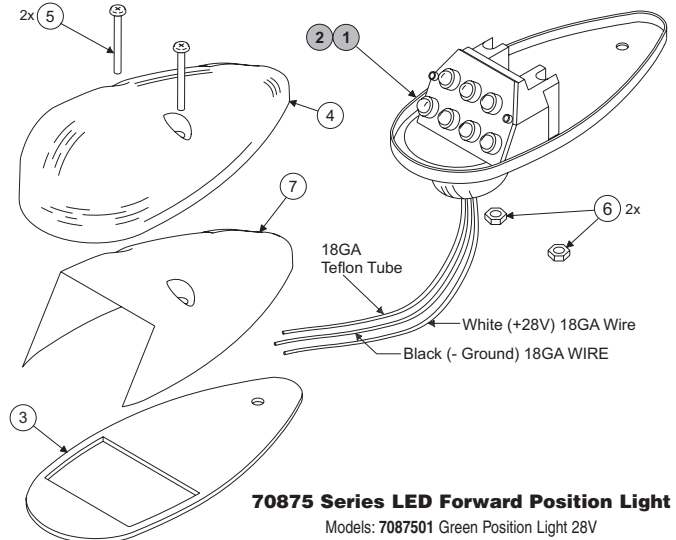
Figure 26 Model A430 Parts		
Item	WAT P/N	Model No. Description
1	14-0050505-17 ---	#4-40 x 1/2" Phillips PHMS (MS51957-17)
2	19-130000-100 ---	Lens Retainer
3	68-4270002-30 ---	Lens, Clear
4	38-0230002-00 A455	Gasket for A430
5	02-0350054-00 A435	A435 Flashtube Assembly for A430
6	13-040130-040 ---	#4-40 Brass Hex Nut
7	38-0230015-02 ---	Seal
8	02-0350054-01 ---	Flashtube Assembly, with 12 Leads



A430 Strobe Lighthouse Series

Models: A430 Strobe Light Assembly A430-D Strobe Light Assembly
 A430-12 Strobe Light Assembly

Figure 27 Model 70875 Parts		
Item	WAT P/N	Model No. Description
1	01-0270880-01 7088001	Sub-Assembly, LED, Green, 28V, used 70875 Series
2	01-0270880-02 7088002	Sub-Assembly, LED, Red, 28V, used on 70875 Series
3	38-0150838-00 5083800	Gasket, Lens, LED Forward Position Light, used on 70875 Series
4	68-3970873-30 7087330	Lens, LED Forward Position Light, used on 70875 Series
5	14-0050503-35 5050335	Screw, #6-32 x 1-1/4" PPHMS MS51957-35
6	13-0050513-64 5051364	Nut, #6-32 Hex, SS, MS35649-264
7	11-670912-001 70912001	Shroud, Masking, LED Position Light, used on 70875 Series



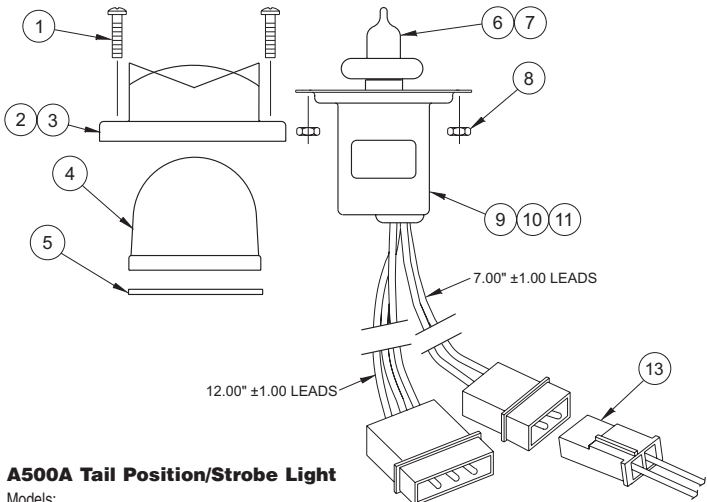
70875 Series LED Forward Position Light

Models: 7087501 Green Position Light 28V
 7087502 Red Position Light 28V

TAIL / EMPENNAGE REPLACEMENT PARTS - COMBINATION ACL/POSITION - POSITION LIGHT

Figure 28 Model A500A Parts

Item	WAT P/N	Model No.	Description
1	14-0050505-17	---	#4-40 x 1/2" Phillips PHMS (MS51957-17)
2	19-0150350-01	A425AH	Retainer, Mask (Horizontal), used on A500A Series
3	19-0150350-02	A425AV	Retainer, Mask (Vertical), used on A500A Series
4	68-4270002-30	A457A	Clear Glass Plain Dome (A457A)
5	38-0230002-00	A455	Gasket (A455), A-500 Series
6	34-0412070-63	A50814	Lamp, ERC Halogen (14 Volt) (A508-14)
7	34-0428070-64	A50828	Lamp, ESG Halogen (28 Volt) (A508-28)
8	13-040130-040	---	Hex Nut, #4-40 x 1/4" A.F. Brass
9	02-0350034-00	A506	Flash Tube and Socket Assembly (A506)
10	02-0350034-01	A506M	Flash Tube and Socket Assembly (A506M) Molex
11	02-0350375-00	A506D	Flash Tube and Socket Assembly (A506D)
12	68-4270002-34	A457AC	Clear Lens, RFI Coated (A457AC)
13	46-0750698-00	---	Pigtail

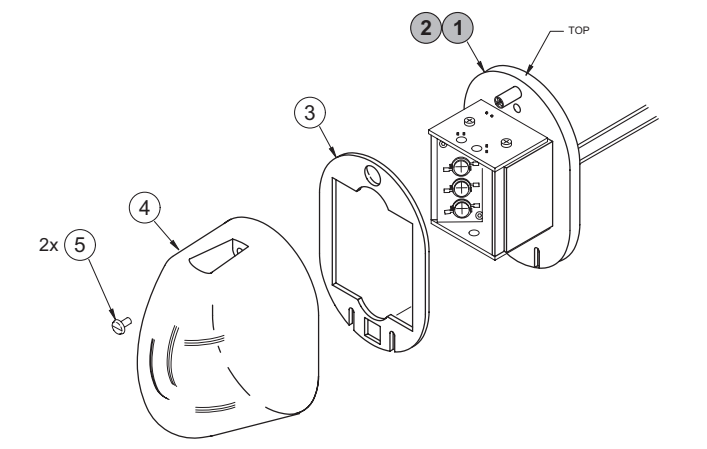


A500A Tail Position/Strobe Light

- Models:
A500AV14 Vertical mount, 14 VDC
A500AV28 Vertical mount, 28 VDC
A500AH14 Horizontal mount, 14 VDC
A500AH28 Horizontal mount, 28 VDC

Figure 30 Model 70966 Parts

Item	WAT P/N	Model No.	Description
1	01-0290273-00	---	LED/PCB Module Assembly
2	01-0290273-01	9027301	LED/PCB Module Assembly with Ground Lead
3	38-0250855-00	5085500	Gasket, Lens
4	68-3970804A30	70804A30	Lens, Clear, Used on 70966 LED Tail Position Light
5	14-040E06-02M	40E0602	Screw, 4-40 x 1/8" Slot FILSKHD SS

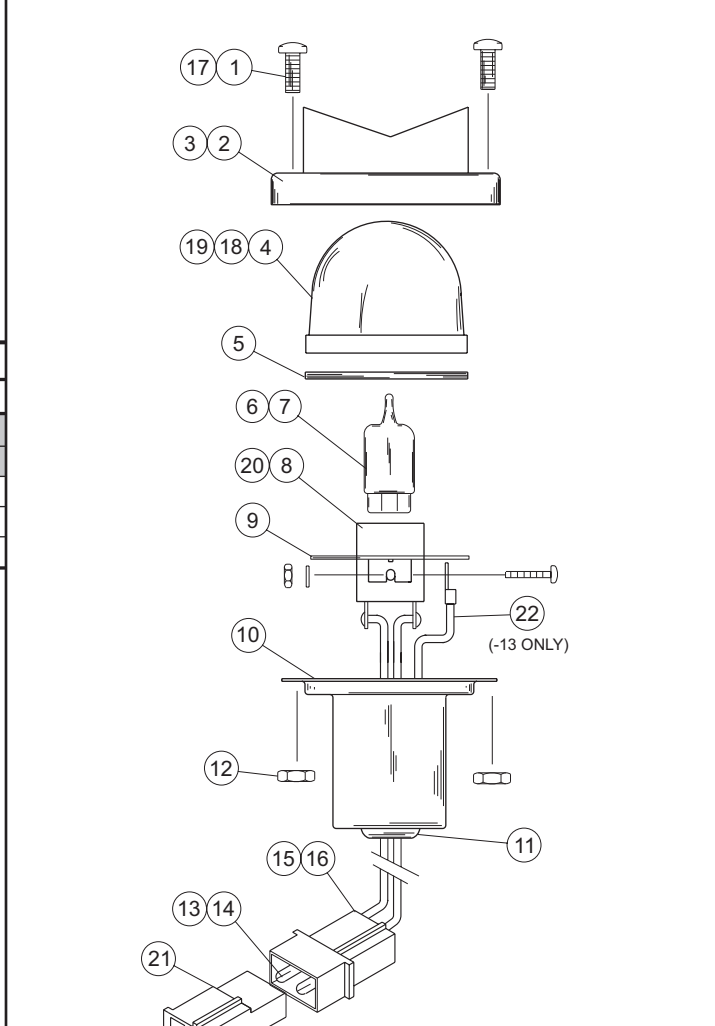


70966 LED Tail/Position Light White

- Models: **7096600** LED Taillight (No Connector)
7096601 LED Taillight (Chassis Ground with Connector)

Figure 29 Model A555A Parts

Item	WAT P/N	Model No.	Description
1	14-0050505-18	---	#4-40 x 5/8" Phillips PHMS (MS51957-18)
2	19-0150350-01	A425AH	Retainer, Mask - Horizontal Mount, Used on A500A
3	19-0150350-02	A425AV	Retainer, Mask - Vertical Mount, Used on A500A Series
4	68-4270002-30	A457A	Glass Lens, A457, White
5	38-0230002-00	A455	Gasket (A455), A-500 Series
6	34-0412070-63	A50814	ERC Halogen Lamp, 14 Volt, 25 Watt
7	34-0428070-64	A50828	ESG Halogen Lamp, 28 Volt, 25 Watt
8	02-0350260-01	---	TP20X Socket Assembly
9	06-150058-001	A504	Disc, Lamp Socket, for A555A
10	11-430005-100	A424	A424 Mounting Cup, for A555A
11	21-11091202-0	---	3/8" Grommet
12	13-040130-040	---	4-40 Brass Hex Nut 1/4"
13	39-0402313-04	---	Amp 2 Pin Connector
14	39-0802313-09	---	Molex 2 Pin Conn
15	39-0501316-04	---	Amp Pin #61118-1
16	39-0901316-09	---	Molex Pin
17	15-041816-100	---	Screw-#4 x 5/8" Lg. Type B Self THD.
18	68-4270002-50	---	Glass Lens (Red)
19	68-4270002-10	7000210	Glass Lens, Amber
20	02-0350260-04	---	TP20X Socket Assembly
21	46-0750698-00	---	Pigtail
22	67-2H82099090	---	Wire, Teflon White 20G, 9 with #4 Ring Lug



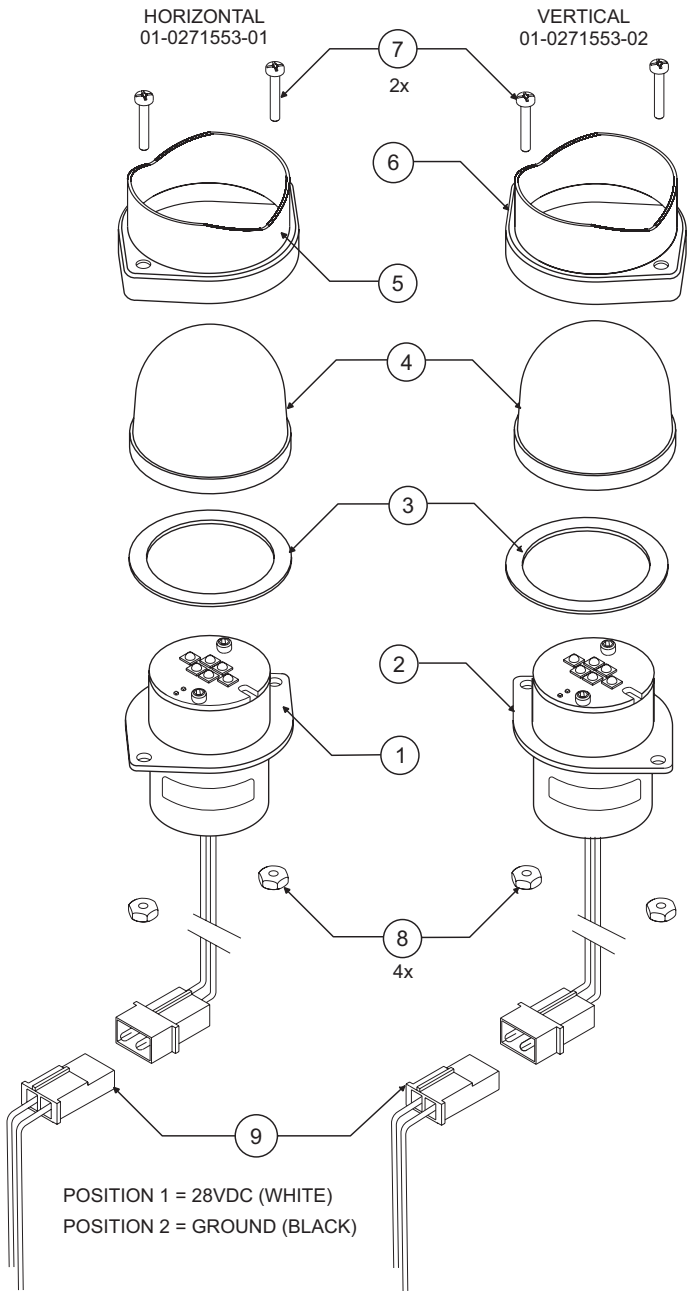
A555A Tail Position Light

- Models: **A555AH14** Horizontal Mount, 14V
A555AH28 Horizontal Mount, 28V
A555AV14 Vertical Mount, 14V
A555AV28 Vertical Mount, 28V

TAIL / EMPENNAGE REPLACEMENT PARTS - COMBINATION ACL/POSITION - POSITION LIGHT

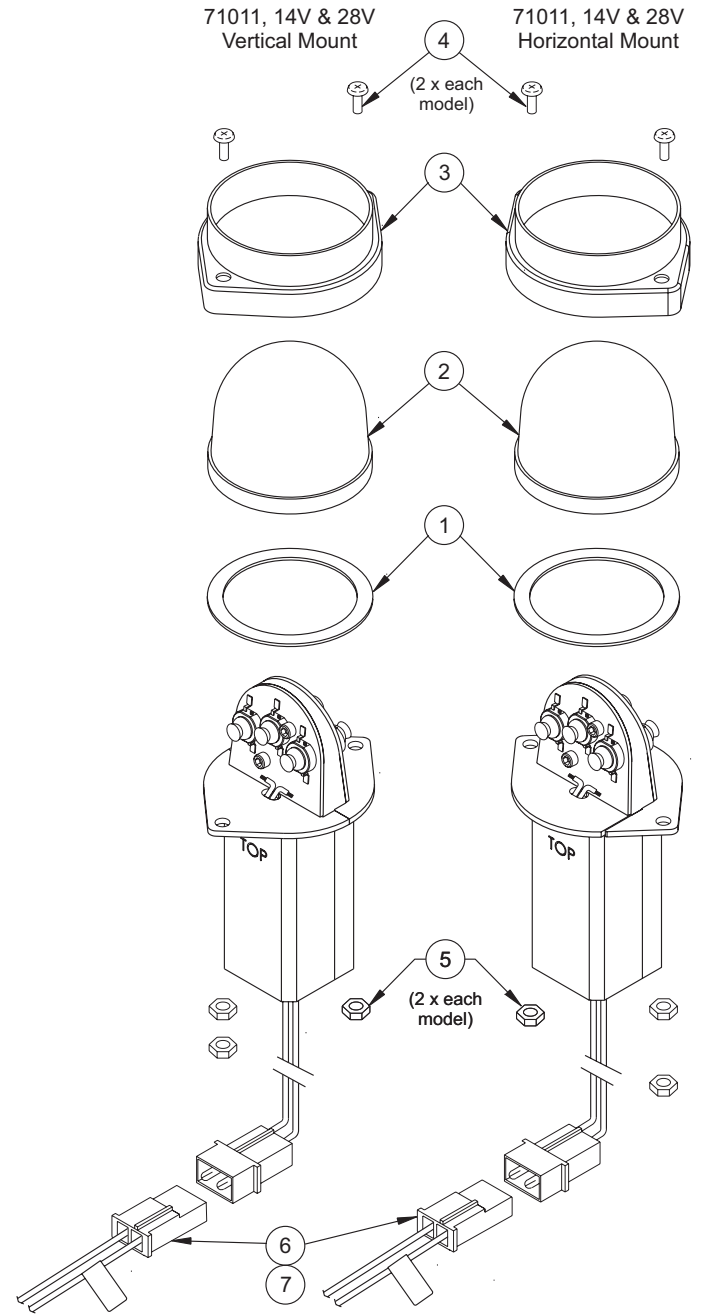
Figure 31 Model 71554 Parts			
Item	WAT P/N	Model No.	Description
1	01-0271552-01	Assembly, 28V LED Tail Position Light, Horizontal	
2	01-0271552-02	Assembly, 28V LED Tail Position Light, Vertical	
3	38-0231260-00	Gasket, Lens 90296 Housing	
4	68-3970991-30	Lens, Clear Hardcoat, Tail Position Light	
5	19-0150350-06	Retainer Mask, Horizontal	
6	19-0150350-07	Retainer Mask, Vertical	
7	14-0050505-18	Screw, 4-40 x 5/8" PPHMS, MS51957-18	
8	13-040130-040	Nut, 4-40 x 1/4" Hex Brass	
9	46-0750898-00	Assembly, 28V Pigtail 6" Black/White	

Figure 32 Model 71011 14V & 28V Parts			
Item	WAT P/N		Description
1	38-0231061-00	3106100	Gasket, Lens LED Tail Position Light
2	68-3970991-30	7099130	Lens, Clear Hardcoat, Tail Position Light
3	19-0150350-03	---	Retainer Mask, .635" Tall
4	14-0050505-18	---	Screw, 4-40 x 5/8" PPHMS MS51957-18
5	13-040130-040	---	Nut, 4-40 x 1/4" Hex Brass
6	46-0750898-01	---	Assembly, 14V Pigtail 6" Black/Red
7	46-0750898-00	---	Assembly, 28V Pigtail 6" Black/White



71554 LED Tail Position Light

Models: 7155401 LED AFT Pos. Light, 28V, Horizontal 7155411 LED AFT Pos. Light, 14V, Horizontal
 7155402 LED AFT Pos. Light, 28V, Vertical 7155403 LED AFT Pos. LT, 28V, Vertical (Cessna)
 7155412 LED AFT Position Light, 14V, Vertical



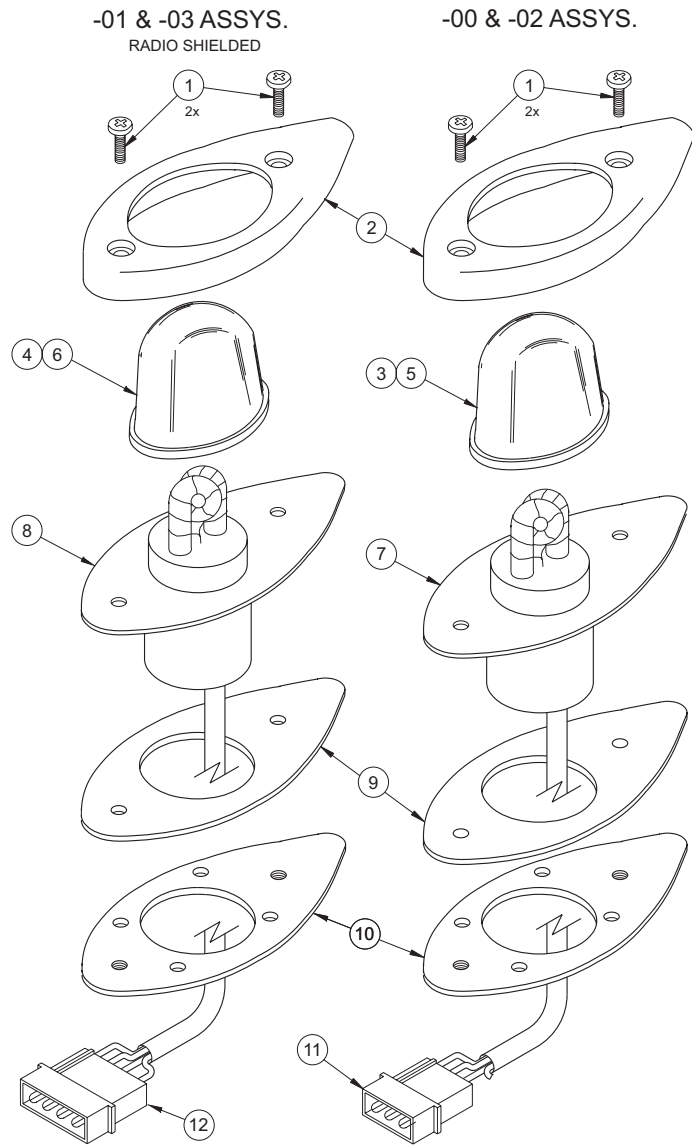
71011 14V & 28V Taillight Assembly

Models: 7101112, White LED, Vertical Tail, 14V 7101113, White LED, Horizontal Tail, 14V
 7101102, White LED, Vertical Tail, 28V 7101103, White LED, Horizontal Tail, 28V

TAIL / EMPENNAGE REPLACEMENT PARTS - VERTICAL STABILIZER

Figure 33 Model 70821 Parts (Obsolete)			
Item	WAT P/N	Model No.	Description
Parts not available to order, for Reference Only			
1	14-0050504-46	---	Screw, 8-32 x 5/8" PPHMS (MS51957-46)
2	19-170802-100	70802100	Retainer, Lens, used on 7078600
3	68-2290005-30	A612	Lens, Aviation White
4	68-2290005-34	A612C	Lens, Aviation White, RFI Coated
5	68-2290005-50	A612R	Lens, Aviation Red
6	68-2290005-54	A612RC	Lens, Aviation Red, RFI Coated
7	02-0370843-00	7084300	Flash Tube Assembly, used on Model 70821-00 & -02
8	02-0370843-01	7084301	Flash Tube Ass'y, (RFI Shielded), used 70821-01 & -03
9	38-0250800-00	5080000	Gasket, Mounting
10	06-150805-002	50805002	Mounting Adapter Plate, used on Model 70821
11	39-0501313-04	---	AMP Connector Wiring -00 & -02 Assemblies
12	39-0501316-04	---	AMP Conn. Wiring -01 & -03 Assy's (Radio Shielded)

Figure 34 Model A470A Parts			
Item	WAT P/N	Model No.	Description
1	68-2170504-50	A402AR	Lens Assembly, Red
2	68-2170504-30	A402AW	Lens Assembly, White
3	68-2170504-60	A402AS	Lens Assembly Split Red/White
4	68-2170504R50	A402ADR	Lens Assembly, RFI Shielded - Red
5	68-2170504R30	A402ADW	Lens Assembly, RFI Shielded - White
6	68-2170504R60	A402ADS	Lens Assembly, RFI Shielded - Split Red/White
7	19-262353-000	---	Clamp Ring Ø2.50"
8	38-0250429-00	A467A	Gasket, RFI Shielded
9	01-0770044-02	A469B	Flashtube Assembly (A469B)
10	14-0050503-30	---	#6-32 x 1/2" Phillips PHMS (MS51957-30)
11	38-0230840-00	3084000	Gasket, 2.5" O.D. x .030" Thick
12	13-0050513-64	---	#6-32 x 5/16" SS Hex Nut (MS35649-264)
13	02-0350600-01	---	Lens Assembly, Masked (White)
14	13-0050517-06	---	Nut, #6-32 Self Lock Hex (MS21042-06)

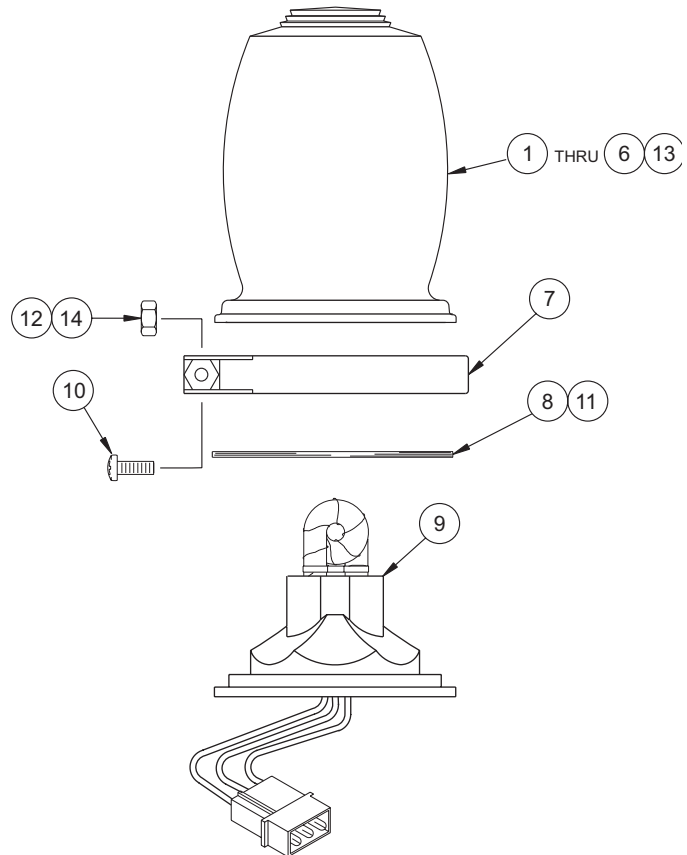


- Parts not available to order, for Reference Only -

70821 Series Remote Streamlined Strobe light

(Wing Tip/Anti-Collision or on the Vertical Fin/Ground Recognition)

Models: **7082100** Standard unit, Clear lens **7082102** Standard unit, Red lens
7082101 Radio-shielded, Clear lens **7082103** Radio-shielded, Red lens

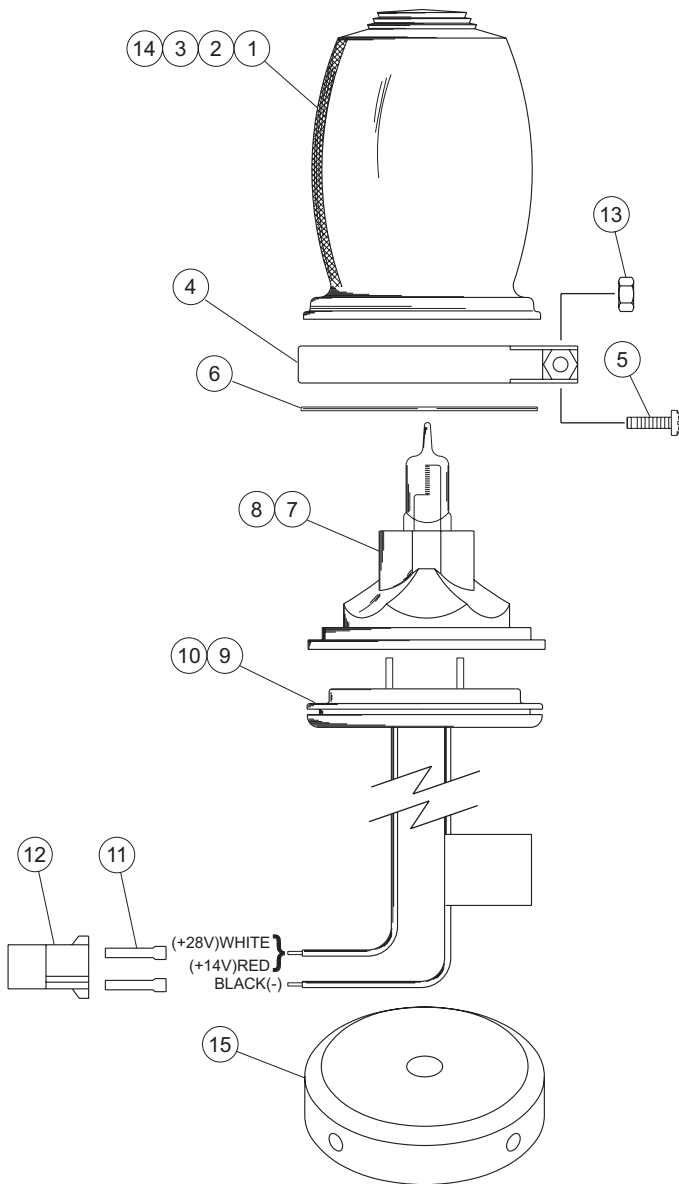


A470A Series Remote Strobe Light Assembly

Models: **A470AR**, Standard Assembly, Red Lens
A470AW, Standard Assembly, White Lens
A470AS, Standard Assembly, Split Red/White Lens
A470ADR, Radio-Shielded Assembly, Red Lens
A470ADW, Radio-Shielded Assembly, White Lens
A470ADS, Radio-Shielded Ass'y, Split Red/White Lens

TAIL / EMPENNAGE REPLACEMENT PARTS - VERTICAL STABILIZER

Figure 35 Model 70509 Parts			
Item	WAT P/N	Model No.	Description
1	68-2170504-50	A402AR	Lens Assembly Red/Hard Coated, A402AR
2	68-2170504-30	A402AW	Lens Assembly White/Hard Coated, A402AW
3	68-2170504-60	A402AS	Lens, Split Red/White/Hard Coated, A402AS
4	19-262353-000	---	Clamp Ring Ø2.50"
5	14-0050503-30	---	#6-32 x 1/2" Phillips PHMS (MS51957-30)
6	38-0230840-00	3084000	Gasket, 2.5" O.D. x .030" Thick
7	02-0350433-01	5043301	Lamp Assembly, (28V) 70509 Series
8	02-0350433-00	5043300	Lamp Assembly, (14V) 70509 Series
9	02-0250627-01	5062701	Flasher Base Assembly, (28V) Used On 70509 Series
10	02-0250627-00	5062700	Flasher Base Assembly, (14V) Used On 70509 Series
11	39-0050599-01	---	Amp Socket # 61314-4 (Reel)
12	39-0402023-04	---	Amp 2 Socket Conn. #1-480318-0
13	13-0050513-64	---	#6-32 x 5/16" SS HEX NUT (MS35649-264)
14	02-0350600-00	A402AR	Lens Assembly Red/Hard Coated with Mask A402AR
15	11-350519-001	50519001	Mounting Adapter, 3.75" Dia. on 70509 Series

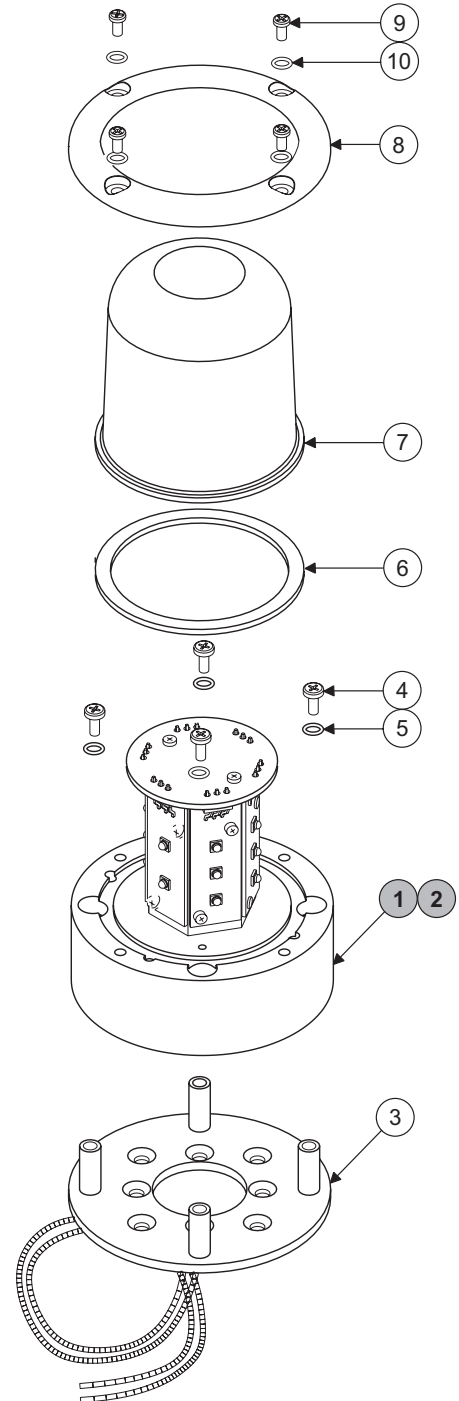


70509 Series Remote Strobe Light Assembly

Models: 7050900, 14 VDC, Red lens
 7050901, 14 VDC, White lens
 7050902, 14 VDC, Red/White lens
 50519001, Optional mounting adapter

7050903, 28 VDC, Red lens
 7050904, 28 VDC, White lens
 7050905, 28 VDC, Red/White lens
 7050907, 28 VDC, Red lens with mask

Figure 36 Model 71055 Parts			
Item	WAT P/N	Model No.	Description
1	01-0271843-00	---	LED Module Assembly 6 Sided 14V
2	01-0271829-01	---	LED Anti-Collision Light Assembly, 28V
3	07-771051-100	---	Adapter Plate Model 71055 Series
4	14-0050503123	---	Screw, 6-32 x 9/16" PPHMS MS51957-123
5	16-0050506136	---	Washer, #6 Lock-Spring MS35338-136
6	38-0250885-00	---	Gasket, Lens Model 71055 Series
7	68-4971046-30	7104630	Lens, Clear, Hard Coated, Model 71055 Series
8	19-171047-100	---	Retainer, Lens Model 71055 Series
9	14-0050505-14	---	Screw, 4-40 x 5/16" PPHMS MS51957-14
10	16-0050506135	---	Washer, #4 Lock-Spring MS35338-135



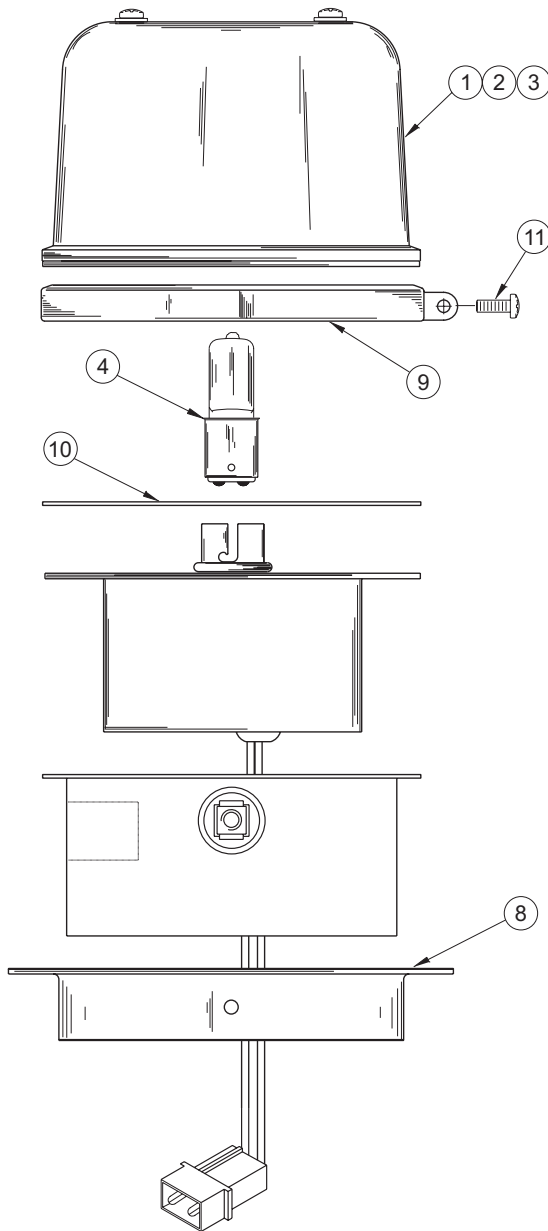
71055 Self-Contained LED Beacon Anti-Collision Light

Models: 7105500 LED Beacon, 14VDC, Red
 7105501 LED beacon, 28 VDC, Red

TAIL / EMPENNAGE REPLACEMENT PARTS - VERTICAL STABILIZER / FUSELAGE

Figure 37 Model 90081 Parts (Obsolete)

Item	WAT P/N	Model No.	Description
Not to order, For Reference Only			
1	02-0370360-00	7036000	Dome Assembly (90081-00)
2	02-0370360-01	7036001	Dome Assembly (90081-01)
3	02-0370360-02	7036002	Dome Assembly, with Hole (90081-02)
4	34-0226010-91	---	Lamp, 28V 150W D.C. Bayonet Base
---	02-0370763-00	7076300	Electronic Package, Flasher Assembly (90081)
---	11-350336-003	50336003	Housing Cover
---	13-062621-054	---	Cage Nut, 6-32, Black
8	19-130074-009	---	Ring, Adapter A440 Mounting Adapter, (Same A440)
9	19-250094-000	WRM25	Clamp Ring Assembly used on 90081
10	38-0230109-00	WRM30	Gasket, Dome, for 90081
11	14-0050503-31	---	Screw, 6-32 x 5/8" PPHMS (MS51957-31)



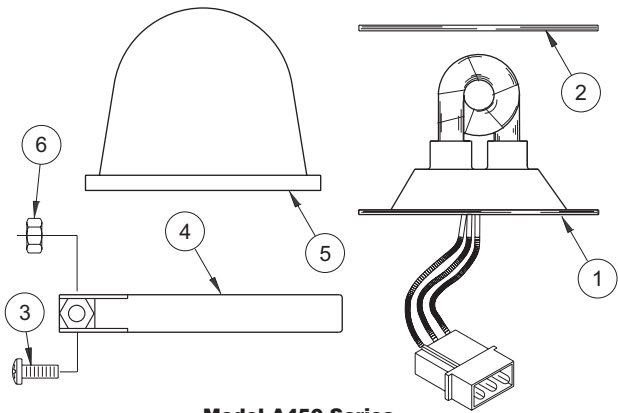
Not to Order, For Reference Only

90081 Self-Contained Halogen Beacon Anti-Collision Light

Models: 9008100 Flashing Beacon Assembly Vertical Fin Mount
 9008101 Flashing Beacon Assembly Upper Fuselage Mount
 9008102 Flashing Beacon Assembly Lower Fuselage Mount

Figure 38 A450 Parts

Item	WAT P/N	Model No.	Description
1	02-0350053-00	SA406	Flash Tube Assembly
2	38-0230946-00	3094600	Gasket, Lens, 2.5" O.D. x .046" Thick
3	14-0050503-30	---	#6-32 x 1/2" Phillips PHMS (MS51957-30)
4	19-262353-000	---	Clamp Ring Ø2.50"
5	68-4230044-30	SA402	Lens (Clear)
6	13-0050513-64	---	#6-32 x 5/16" SS Hex Nut (MS35649-264)

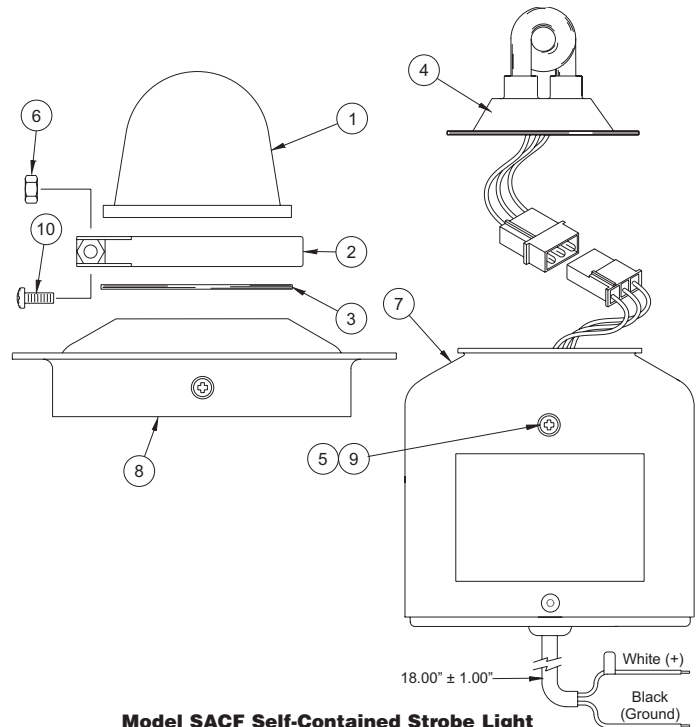


Model A450 Series

Models: 7105500, LED Beacon, 14VDC, Red 7105501, LED beacon, 28 VDC, Red

Figure 39 SACF Parts

Item	WAT P/N	Model No.	Description
1	68-4230044-30	SA402	Lens Assembly (Clear)
2	19-262353-000	---	Clamp Ring Ø2.50
3	38-0230946-00	3094600	2.5" Gasket, Lens, .046" Thick (Replaced SA418-1)
4	02-0350053-00	SA406	Flash Tube Assembly
5	14-0050503-28	---	#6-32 x 3/8" Phillips PHMS (MS51957-28)
6	13-0050513-64	---	#6-32 x 5/16" SS Hex Nut (MS35649-264)
7	01-0770619-00	HRCF200	Power Supply HR-CF 14/28V
9	19-130074-100	---	Mounting Flange
10	16-0050512-71	---	#6 INT Tooth L/W (MS35333-71)
11	14-0050503-30	---	#6-32 x 1/2" Phillips PHMS (MS51957-30)



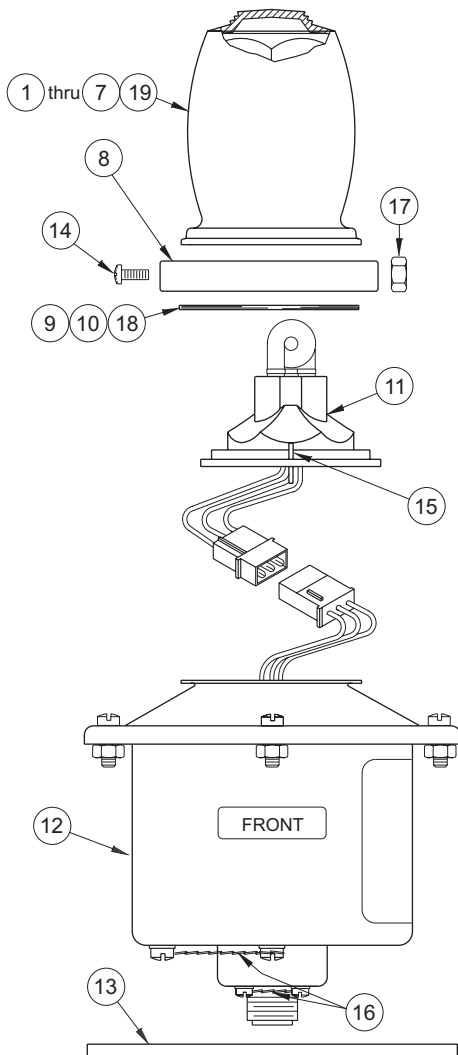
Model SACF Self-Contained Strobe Light

Model: SACF, Self-Contained Strobe Light Assembly, 14/28V

TAIL / EMPENNAGE REPLACEMENT PARTS - FUSELAGE

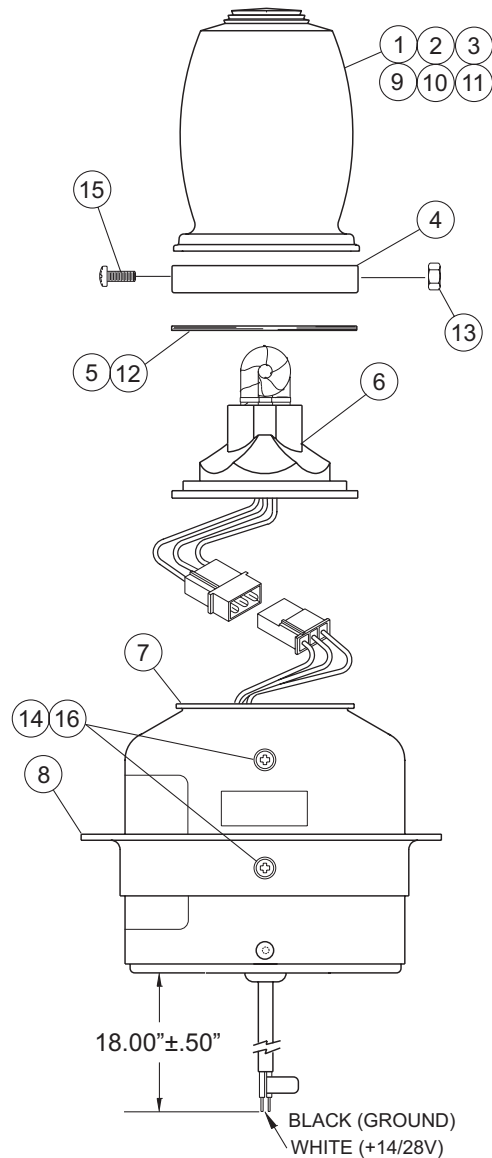
Figure 40 70285 Series			
Item	WAT P/N	Model No.	Description
1	68-2170504-50	A402AR	Lens, Red/Hard Coated A402A-R
2	68-2170504R50	A402ADR	Lens, Red/Hard Coated - RFI Shielded A402A-D-R
3	68-2150454-52	5045452	Lens, Red - RFI Shielded A402A-D-R with .31" Mask
4	68-2170504-30	A402AW	Lens, White/Hard Coated A402A-W
5	68-2170504-60	A402AS	Lens, Split Red/White/Hard Coated A402A-S
6	68-2150449-52	5044952	Lens, Red - RFI Shielded A402A-D-R with .29" Mask
7	68-2170504R60	A402ADS	Lens, Split Red/White/Coated - RFI Shielded A402A-D-S
19	68-2170504R30	A402ADW	Lens, White/Hard Coated - RFI Shielded A402ADW
8	19-262353-000	---	Clamp Ring
9	38-0250429-00	---	Gasket, RFI Shielded
10	38-0230840-00	3084000	Gasket, 2.5" Diameter (.030" Thick)
11	01-0770044-02	---	Flashtube Assembly
12	01-0270788-00	7078800	Power Supply Assembly for 70285 Series
13	38-0250225-00	---	Seal, (Flame Retardant Silicone)
14	14-0050503-30	---	#6-32 x 1/2" Phillips PHMS (MS51957-30)
15	22-1430312-00	---	Indexing Pin
16	66-1515266-00	---	Safety Lock Wire - (MS20995)
17	13-0050513-64	---	#6-32 x 5/16" SS Hex Nut (MS35649-264)
18	38-0250429-01	---	Gasket, Shielded (with Index)

Figure 41 HRCFA Parts			
Item	WAT P/N	Model No.	Description
1	68-2170504-50	A402AR	Lens Assembly Red/Hard Coated, A402AR
2	68-2170504-30	A402AW	Lens Assembly White/Hard Coated, A402AW
3	68-2170504-60	A402AS	Lens, Split Red/White/Hard Coated, A402AS
4	19-262353-000	---	Clamp Ring Ø2.50"
5	38-0230840-00	3084000	Gasket, 2.5" Diameter (.030" Thick)
6	01-0770044-02	A469B	Flash Tube Assembly
7	01-0770619-00	HRCF200	Power Supply Assembly HR-CF 14V/28V
8	19-130074-100	---	Mounting Flange
9	68-2170504R50	A402ADR	Lens, Red/Hard Coated (RFI Shielded), A402ADR
10	68-2170504R30	A402ADW	Lens, White/Hard Coated (RFI Shielded), A402ADW
11	68-2170504R60	A402ADS	Lens, Split Red/White/ Coated (RFI Shielded), A402ADS
12	38-0250429-00	A467A	Gasket, RFI Shielded, A467A
13	13-0050513-64	---	#6-32 x 5/16" SS Hex Nut (MS35649-264)
14	14-0050503-28	---	#6-32 x 3/8" PPHMS (MS51957-28)
15	14-0050503-30	---	#6-32 x 1/2" PPHMS (MS51957-30)
16	16-0050512-71	---	#6 INT. Tooth LW (MS35333-71)



Model 70285 Series Self-Contained Anti-Collision Strobe Light

- | | |
|--------------------------------------------|------------------------------------------|
| Models: 7028521, Red Strobe (RFI Shielded) | 7028527, White Strobe with Lock Wire |
| 7028523, White Strobe | 7028528, Red/White Strobe (RFI Shielded) |
| 7028526, Red w/Mask Strobe (RFI Shielded) | 7028540, Red Strobe |



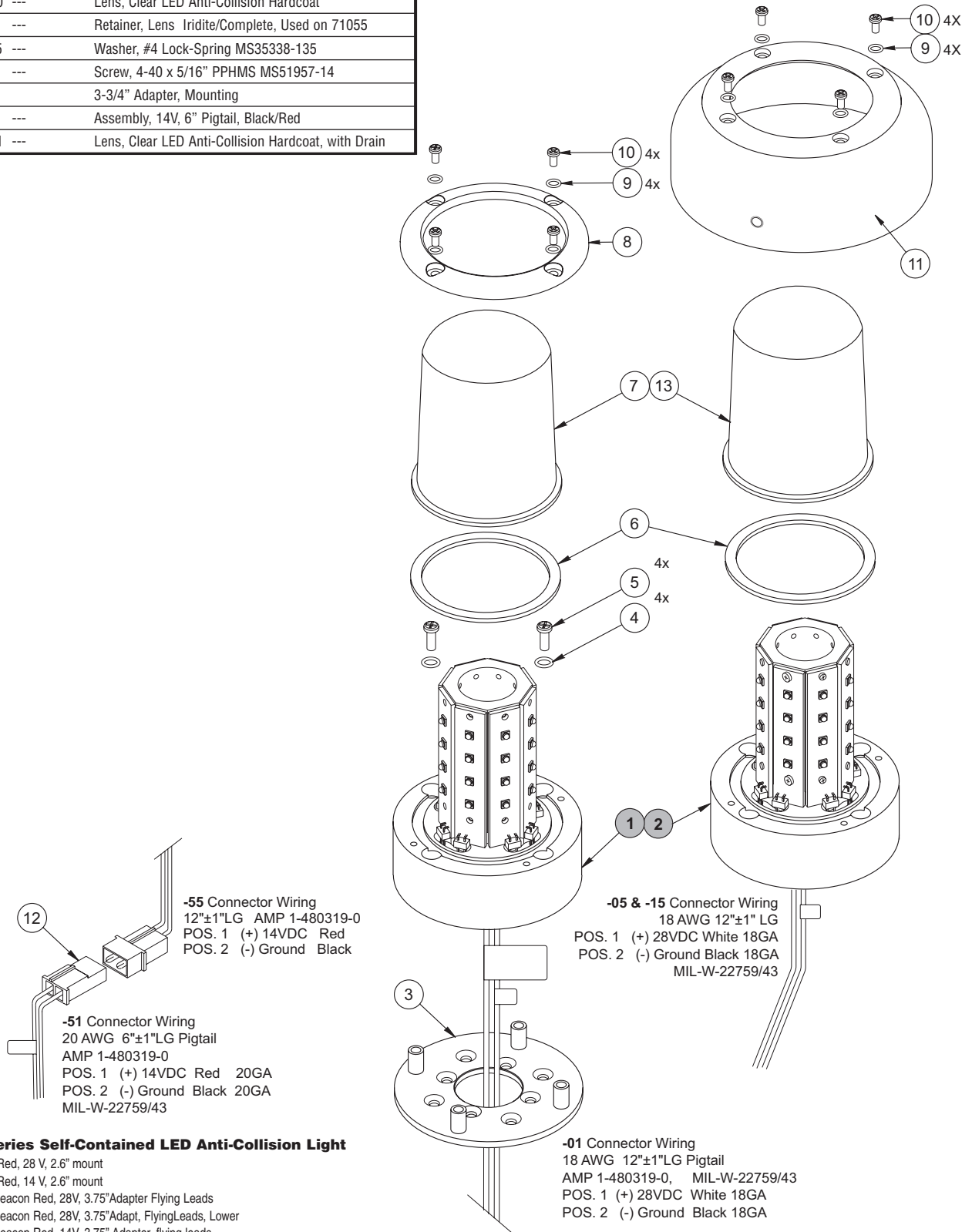
Model HRCFA Series Self-Contained Anti-Collision Strobe Light

- | | |
|-------------------------------------------|-----------------------------------------|
| Models: HRCFADR, Red Strobe, RFI Shielded | HRCFADS, Red/White Strobe, RFI Shielded |
| HRCFADW, White Strobe, RFI Shielded | HRCFAR, Red Strobe |
| HRCFAS, Strobe, Red/White | HRCFAW, White Strobe |

TAIL / EMPENNAGE REPLACEMENT PARTS - FUSELAGE

Figure 42 71080 Parts

Item	WAT P/N	Model No.	Description
1	01-0271848-00	---	Assembly, 28V LED Anti-Collision Light 71080
2	01-0271848-50	---	Assembly, 14V LED Anti-Collision Light 71080
3	07-771051-100	---	Plate, Adapter Model 8 Hole
4	16-0050506136	---	Washer, #6 Lock-Spring MS35338-136
5	14-0050503123	---	Screw, 6-32 x 9/16" PPHMS SS MS51957-123
6	38-0250885-00	---	Gasket, Lens Model 71055 Series
7	68-4971082A30	---	Lens, Clear LED Anti-Collision Hardcoat
8	19-171047-100	---	Retainer, Lens Iridite/Complete, Used on 71055
9	16-0050506135	---	Washer, #4 Lock-Spring MS35338-135
10	14-005050514	---	Screw, 4-40 x 5/16" PPHMS MS51957-14
11	07-571361-100	---	3-3/4" Adapter, Mounting
12	46-0750898-01	---	Assembly, 14V, 6" Pigtail, Black/Red
13	68-4971082A31	---	Lens, Clear LED Anti-Collision Hardcoat, with Drain



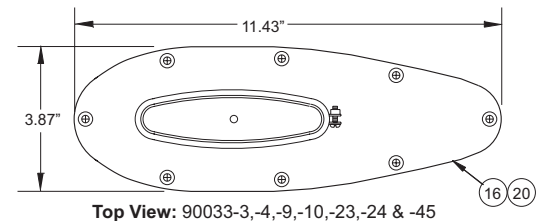
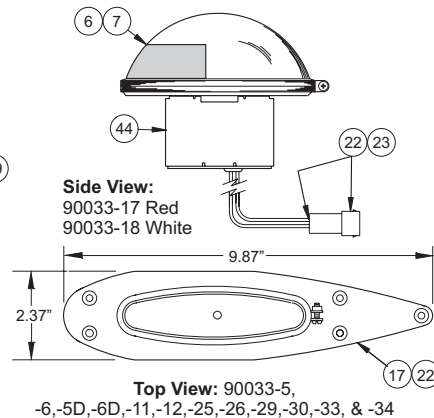
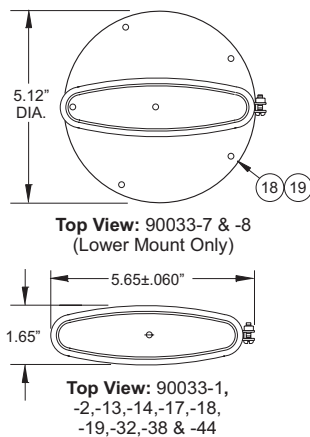
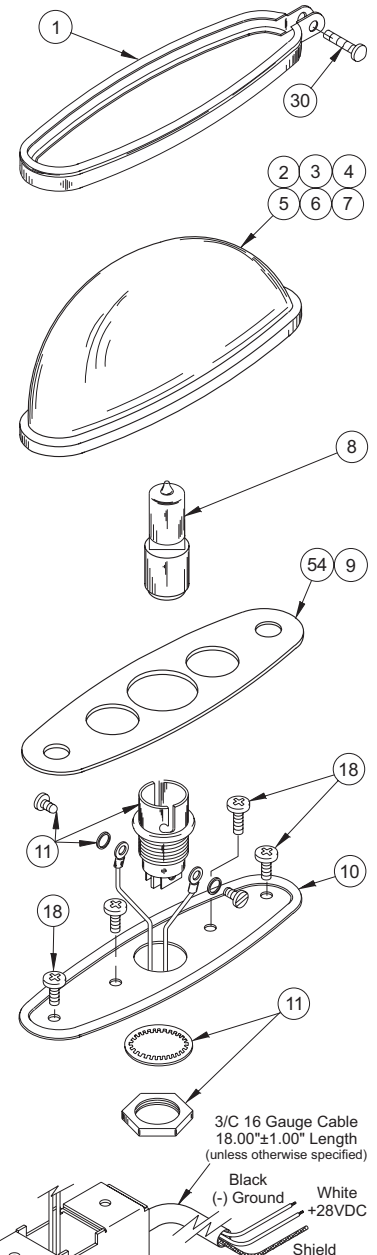
Model 71080 Series Self-Contained LED Anti-Collision Light

- Models: 7108001, LED Red, 28 V, 2.6" mount
- 7108051, LED Red, 14 V, 2.6" mount
- 7108005, LED Beacon Red, 28V, 3.75" Adapter Flying Leads
- 7108015, LED Beacon Red, 28V, 3.75" Adapt, FlyingLeads, Lower
- 7108055, LED Beacon Red, 14V, 3.75" Adapter, flying leads

TAIL / EMPENNAGE REPLACEMENT PARTS - FUSELAGE

Figure 43 MODEL 90033 Parts

Item	WAT P/N	Model	Description	Used On Final
1	19-250155-000	50155000	Clamp Ring Assembly, for 90033	All
2	68-4270140-50	7014050	Lens, Aviation Red, used on 90033 Series	-05,-11,-13,-25,-27,-29,-33
3	68-4270140-30	7014030	Lens, Aviation White (Clear), used on 90033 Series	-06,-12,-14,-22,-26,-28,-34
4	68-4250258-58	5025858	Lens, Aviation Red with Drain Hole, 90033 Series	-01-03-07-09-19-23-31
5	68-4250258-38	5025838	Lens, Aviation White (Clear), w/Drain Hole, 90033 Series	-02-04-08-10-20-21-24-32
6	68-4250257-52	5025752	Lens, Aviation Red with Mask, 90033-17	-17
7	68-4250257-32	---	Lens, Aviation White (Clear) with Mask #2	-
8	34-0226010-91	---	Lamp 28V 150W Quartz Halogen D.C. Bayonet Base	All
9	38-0250154-00	5015400	Seal-Silicon, Mounting Base	All
10	06-170166-000	7016600	Mounting Base, 2 Hole, Used on 90033 Series	All
11	33-06230359-0	303590	Lampholder Assembly, 90033 Series	All
12	01-0268469-00	6846900	Flasher Assembly, 28V, Used on 90033 Series	-01-02-03-04-05-06-09-10-11 -12-19-20-23-24-33-34-43-44
15	06-170278-008	70278008	Mounting Adapter (Large) 8 Hole, 90033 Series	-03-04-09-10-23-24-27-28
16	06-170277-008	70277008	Mounting Adapter (Small), 5 Hole, 90033 Series	-05-06-11-12-15-16-21-22-25 -26-29-30-33-34
17	06-170276-008	70276008	Mounting Adapter (Round), Used on 90033 Series	-07-08
18	14-0050504-43	---	#8-32 x 3/8" PPHMS (MS51957-43)	-
19	38-0270427-00	7042700	Gasket, Baseplate - (5) Hole Pattern, 90033-33, -34	-05-06-11-12-15-16-21-22-25 -26-29-30-33-34
20	38-0270585-00	7058500	Gasket, Large Mounting Plate, 8 Hole Base, Silicon	-03-04-09-10-23-24-27-28
21	07-250290-000	---	Bracket, Mounting, MS Connector	---
22	39-5302323-14	---	Connector Receptacle (207846-1)	---
23	39-5200316-14	---	Pin (66099-4)	---
24	39-5309313-14	---	Plug (208530-1)	---
25	39-3600326-14	---	Connector Socket (66101-1)	---
26	39-4102014-14	---	Two Pin Mate-N-Lock (1-480698-0)	---
27	39-4100316-14	---	Amp Pin (350690-1)	---
28	39-5903711-24	---	Connector (MS3102R-10SL-3P)	---
29	39-3600000-14	---	Plug, Seal (207047-2)	---
30	14-0050503-31	---	#6-32 x 5/8" PPHMS (MS51957-31)	---
31	39-5303313-14	---	Plug (207567-1)	---
32	13-0050517-06	---	#6-32 Self Locking Hex Nut (MS21042-06)	---
33	14-0050505-15	---	#4-40 x 3/8" PPHMS (MS51957-15)	---
34	13-0050517-04	---	#4-40 Self Locking Hex Nut (MS21042-04)	---
35	07-250301-000	---	Bracket, Mounting, MS Connector	---
37	01-0270759-00	7075900	Flasher Assembly, Master	-29-30
38	38-0270334-00	7033400	Gasket, Round Mounting Plate, 90033-7, -8	-07-08
39	01-0270759-01	7075901	Flasher Assembly, Slave	-31-32
40	68-4250407-32	5040732	Lens, Aviation White (Clear), with Mask 90033-30	-30 Only
43	14-0050503-28	---	#6-32 x 3/8" PPHMS (MS51957-28)	---
44	01-0270758-00	7075800	Flasher Assembly	-07,-08,-13,-14,-17,-18
45	01-0270760-00	---	Base/Cable Assembly	---



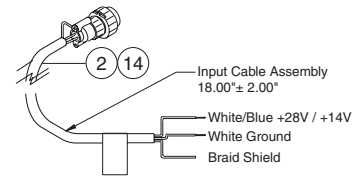
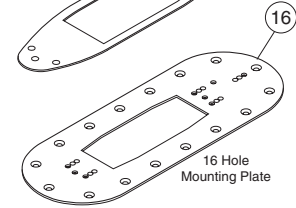
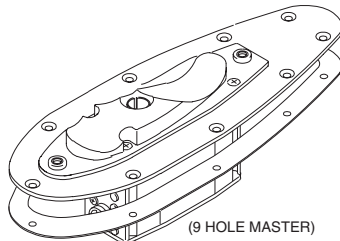
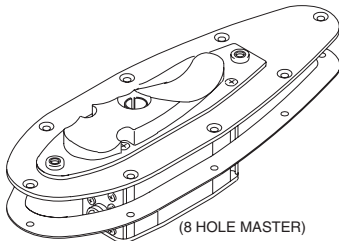
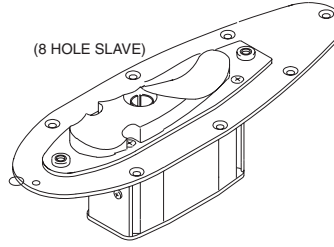
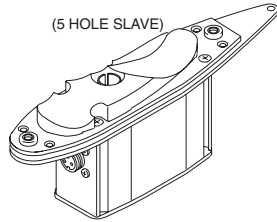
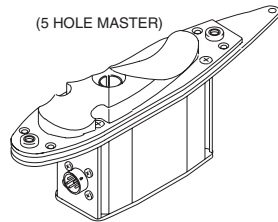
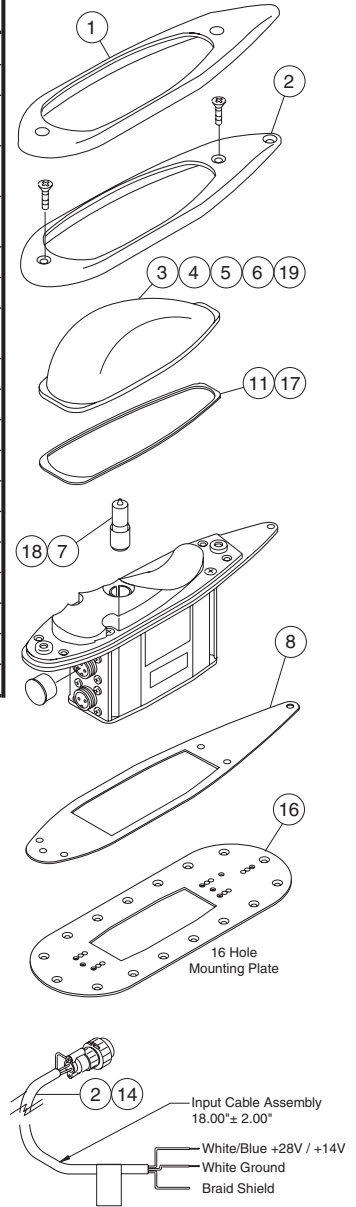
Model 90033 Series Self-Contained Quartz Halogen Flashing Anti-Collision Light

- | | | |
|-------------------------------------------------------------------------------------------------------------------------------------------------------------------------------------------------------------------------------------------------------------------------------------------------------------------------------------------------------------------------------------------------|-------------------------------------------------------------------------------------------------------------------------------------------------------------------------------------------------------------------------------------------------------------------------------------------------------------------------------------------------------------------------------------------|--------------------------------------------------------------------------------------------------------------------------------------------------------------------------------------------------------------------------------------------------------------------------------------------------------------------------------------|
| <p>Models: 900331, Red Lower 2 Hole
 900334, White Lower 8 Hole
 900335D, Red Lower 5 Hole
 900338, 5.12" Dia. mounting base, White Lower Round
 9003311, Red Upper 5 Hole
 9003314, White Upper 2 Hole
 9003324, (Beech 1900) White Lower 8 Hole
 9003330, Master unit, (Fairchild) White Upper 5 Hole</p> | <p>900332, White Lower 2 Hole
 900335, Red Upper 5 Hole
 900336D, White Lower 5 Hole
 900339, Red Lower 8 Hole
 9003312, (Beech 1900) White Upper 5 Hole
 9003317, with masked lens Red Upper 2 Hole
 9003325, (Beech Jet) Red Upper 5 Hole
 9003332, Slave unit, (Fairchild) White Lower 2 Hole.</p> | <p>900333, Red Lower 8 Hole
 900336, White Upper 5 Hole
 900337, 5.12" Dia. mounting base, Red Lower Round
 9003310, White Lower 8 Hole
 9003313, (Cessna CJ1, CJ2) Red Upper 2 Hole
 9003323, Red Lower 8 Hole
 9003329, Master unit, Red Upper 5 Hole</p> |
|-------------------------------------------------------------------------------------------------------------------------------------------------------------------------------------------------------------------------------------------------------------------------------------------------------------------------------------------------------------------------------------------------|-------------------------------------------------------------------------------------------------------------------------------------------------------------------------------------------------------------------------------------------------------------------------------------------------------------------------------------------------------------------------------------------|--------------------------------------------------------------------------------------------------------------------------------------------------------------------------------------------------------------------------------------------------------------------------------------------------------------------------------------|

TAIL / EMPENNAGE REPLACEMENT PARTS - FUSELAGE

Figure 44 Model 90044 Series

Item	WAT P/N	Model No	Description	Used On Final
1	19-170560-002	70560002	Lens Retainer, 2 Hole, 90044 Series	—17 Thru —32—35—36 &—41
2	19-170560-001	70560001	Lens Retainer, 3 Hole, 90044 Series	—01 Thru —16—33—34 —37 & —39
3	68-4270569-52	7056952	Lens Red, used on 90044 Series	—01—05—09—13—17—21—25—29—33 —35 & —37—55
4	68-4270569-32	7056932	Lens White (Clear), used on 90044 Series	—02—06—10—14—18—22—26—30—34 & —36
5	68-4270569-53	7056953	Lens Red, with Hole, used on 90044 Series	—03—07—11—15—19—23—27—31—39 & —41
6	68-4270569-33	7056933	Lens Clear, with Hole, 90044 Series	—04—08—12—16—20—24—28 & —32
7	34-0226010-91	28V150W	Lamp, (28V, 150W) D.C. Bayonet Base	ALL
8	38-0270586-00	7058600	Gasket, 5 Hole Base, 90044 Series	—1 Thru —16—33—34 —37 —38 —39 —40—42—43
9	38-0270585-00	7058500	Gasket, 8 Hole Base, Silicon, 90044 Series	—17—18—20 Thru —33—34 & —36
10	38-0270585-01	7058501	Gasket, 8 Hole Base, BUNA-N, 90044 Series	—19
11	38-0270584-00	7058400	Gasket, Lens, Silicon, 90044 Series	ALL Upper Mount
12	46-0750490-00	5049000	Input Cable	—33 & —34
13	14-0050619-65	---	#10-32 x 1/2" Phillips FHMS	---
14	46-0770602-00	7060200	Input Cable (90044)	ALL Except —33—34 & —41
15	06-170618-000	70618000	18 Hole Mounting Plate, for Gulfstream II, 90044 Series	A.R.
16	38-0270656-00	7065600	Gasket (9) Hole Base 3/16" Thick	—41
17	38-0270584-01	7058401	Gasket, Lens (Fuel Resistant), BUNA-N, 90044 Series	ALL Lower Mount
18	34-0212010-97	12V125W	#1912 Lamp, (12V, 125W) D.C. Bayonet Base	—42 —43
19	68-4270569-57	7056957	Lens, Red with 2 Drain Holes, used on 90044-54 & -56	—54



MODEL 90044 SERIES SELF-CONTAINED QUARTZ HALOGEN FLASHING ANTI-COLLISION LIGHT

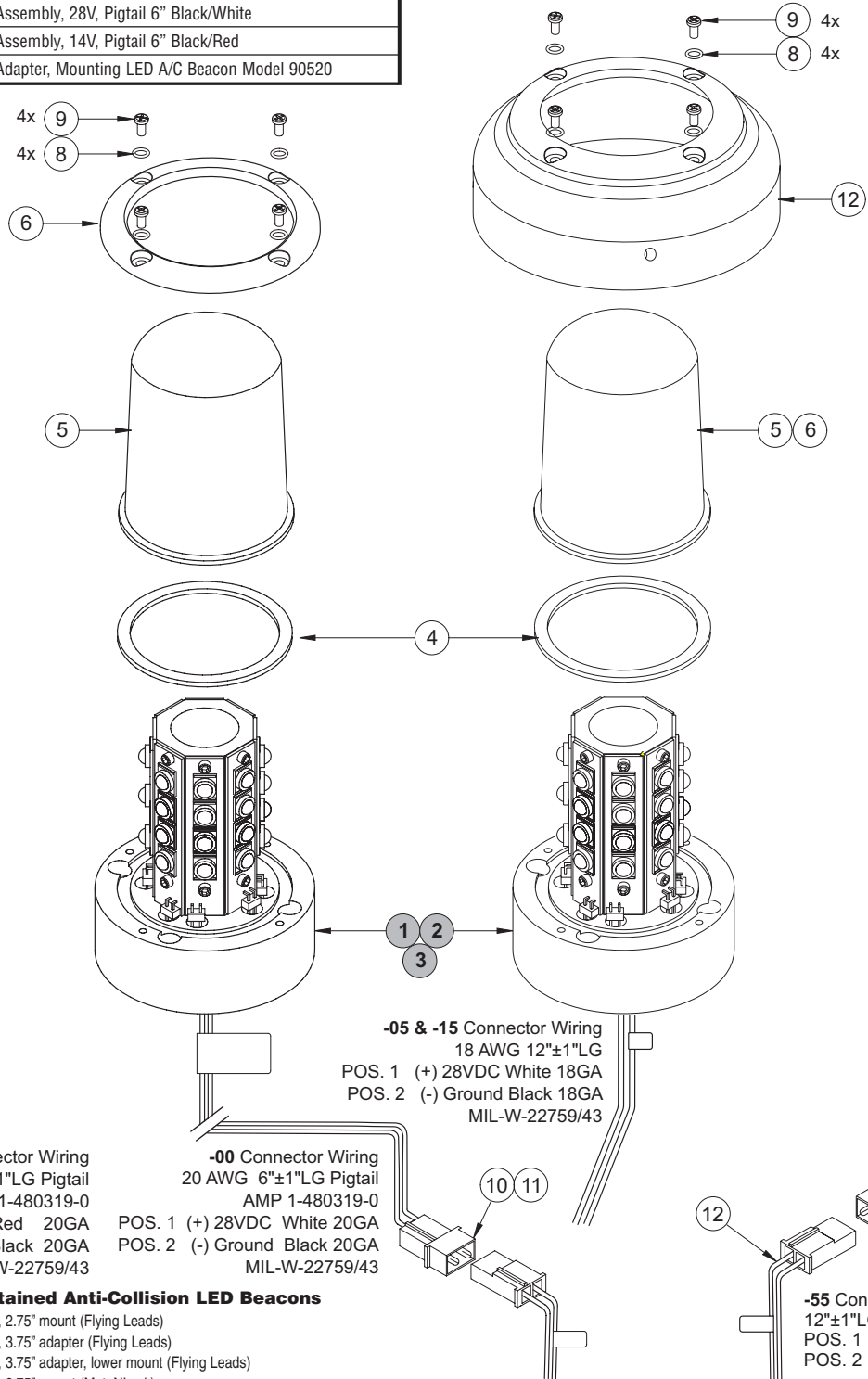
- | | | |
|-------------------------------------------------------------|---------------------------------------------------------------------------------|------------------------------------------------------------------|
| Models: 9004401 , Red upper 5 hole Standard assembly | 9004402 , White upper 5 hole Standard assembly | 9004403 , Red lower 5 hole Standard assembly |
| 9004404 , White lower 5 hole Standard assembly | 9004409 , Red upper 5 hole Capable of synchronizing | 9004410 , White upper 5 hole Capable of synchronizing |
| 9004413 , Red upper 5 hole Slave unit | 9004415 , Red lower 5 hole Slave unit | 9004417 , Red upper 8 hole Standard assembly |
| 9004418 , White upper 8 hole Standard assembly | 9004419 , Red lower 8 hole, Standard assembly | 9004420 , White lower 8 hole, Standard assembly |
| 9004433 , Red upper 5 hole, Rudder mount (Citations) | 9004434 , White upper 5 hole, Rudder mount (Citations) | 9004435 , Red upper 8 hole, (Westwind) |
| 9004437 , Red upper 5 hole, (Citation X) | 9004439 , Red lower 5 hole, (Citation X) | 9004441 , Red lower 9 hole, Special 9 hole mounting plate |
| 9004444 , White lower 5 hole, (Citation X) | 9004453 , White lower 8 hole Masked lens (Factory install, Beech Barons) | 9004454 , Red lower 5 hole (Hawker 800) |
| 9004455 , Red upper 5 hole (Hawker 800) | 9004456 , Red lower 5 hole (Older Hawkers) | 9004457 , Red upper 5 hole (Beech Barons) |
| 9004458 , White upper 5 hole (Beech Barons) | | |

90044 Part Number	90044/90088/90724 CROSS REFERENCE LIST Part Description#	90724 Part Number
01-0790044-39	Ground recognition for Citation X (lower 5-Hole mount) Cessna exclusive part	01-0790724-03
01-0790044-37	Ground recognition for Citation X (upper 5-Hole mount) Cessna exclusive part	01-0790724-04
	Ground recognition for Sovereign (upper 5-Hole mount) Cessna exclusive part	01-0790724-06
01-0790044-03	Anti-collision light (lower 5-Hole mount) cable pigtail	01-0790724-11
01-0790044-01	Anti-collision light (upper 5-Hole mount) cable pigtail	01-0790724-12
01-0790044-33	Anti-collision light (Citation 5-Hole rudder mount, 2.25 lbs.) with connector	01-0790724-13
01-0790044-57	Anti-collision light (5-Hole rudder mount, Barons, 2.25 lbs.) cable pigtail	01-0790724-14
01-0790044-39	Anti-collision light (lower 5-Hole mount) with MS27508E10A-5P connector	01-0790724-15
01-0790044-37	Anti-collision light (upper 5-Hole mount) with MS27508E10A-5P connector	01-0790724-16
01-0790044-54	Anti-collision light (lower 5-Hole mount) cable pigtail, 2 lens drain holes (Hawkers)	01-0790724-17
01-0790044-17	Anti-collision light (upper 8-Hole mount) cable pigtail	01-0790724-18
01-0790044-19	Anti-collision light (lower 8-Hole mount) cable pigtail	01-0790724-19

TAIL / EMPENNAGE REPLACEMENT PARTS - FUSELAGE

Figure 45 Model 90520 Parts

Item	WAT P/N	Model No.	Description
1	01-0290522-00	---	Assembly, 28V, LED Anti-Collision Light Split Red/White
2	01-0290522-01	---	Assembly, 28V LED Anti-Collision Light Split Red/White
3	01-0290522-50	---	Assembly, 14V LED Anti-Collision Light Split Red/White
4	38-0250885-00	---	Gasket, Lens Model 71055 Series
5	68-4971082A30	---	Lens, Clear LED Anti-Collision Hardcoat
6	68-4971082A31	---	Lens, Clear LED Anti-Collision with Drain Hardcoat
7	19-171047-100	---	Retainer, Lens Iridite/Complete
8	16-0050506135	---	Washer, #4 Lock-Spring MS35338-135
9	14-0050505-14	---	Screw, 4-40 x 5/16" PPHMS MS51957-14
10	46-0750898-00	---	Assembly, 28V, Pigtail 6" Black/White
11	46-0750898-01	---	Assembly, 14V, Pigtail 6" Black/Red
12	07-571361-100	---	Adapter, Mounting LED A/C Beacon Model 90520



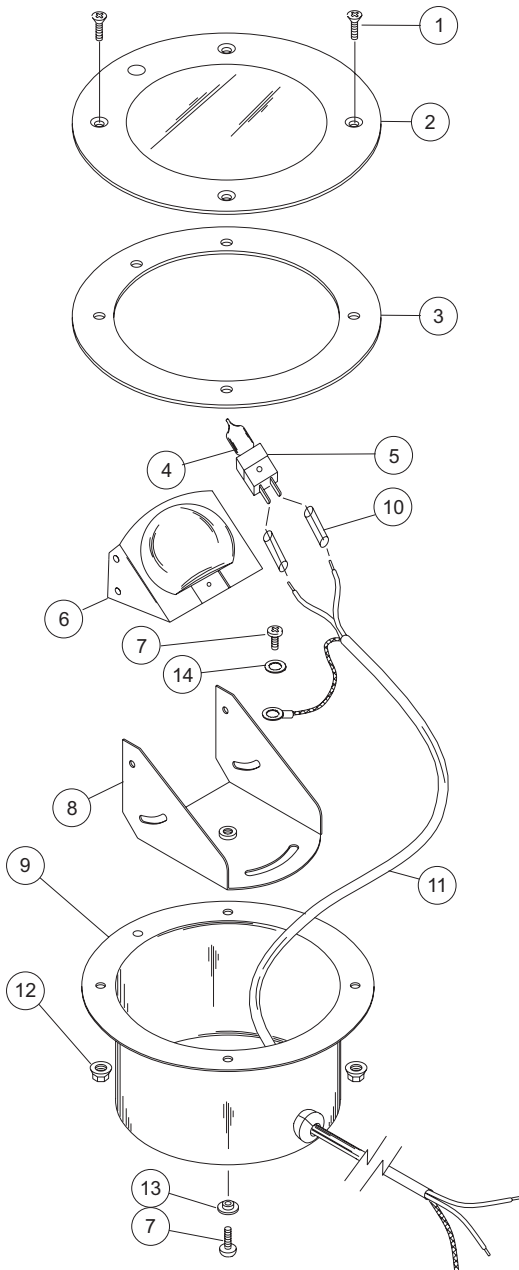
Model 90520 Series Self-Contained Anti-Collision LED Beacons

- Models: **9052001**, LED Red/White, 28 VDC, 2.75" mount (Flying Leads)
- 9052005**, LED Red/White, 28 VDC, 3.75" adapter (Flying Leads)
- 9052015**, LED Red/White, 28 VDC, 3.75" adapter, lower mount (Flying Leads)
- 9052051**, LED Red/White, 14 VDC, 2.75" mount (MateNLock)
- 9052055**, LED Red/White, 14 VDC, 3.75" adapter (Flying Leads)

TAIL / EMPENNAGE REPLACEMENT PARTS - FUSELAGE / TAIL FLOOD

Figure 46 Model A730-1 & -5 Parts

Item	WAT P/N	Model No.	Description
1	14-0050508-28	---	#6-32 x 3/8" Phillips FHMS (MS51959-28)
2	02-0350204-00	A733	Lens/Retainer Assembly, A730 Series
3	38-0250128-00	A734	Gasket, used on A730 Series
4	34A0228070-67	---	Halogen Lamp 28V, 50W, Wedge Base 34-0228070-67B
5	33-07250060-0	---	Lamp Socket
6	68-5470127-00	---	Reflector
7	14-0050503-26	---	#6-32 x 1/4" Phillips PHMS S.S. (MS51957-26)
8	07-270128-000	---	Pivot Bracket
9	11-470126-001	---	Housing
10	26-0715260-11	---	1/2" Long x 1/8" Diameter Shrink Tubing
11	46-9411393072	---	Cable 20G Teflon 86" Long
12	13-062111-053	---	#6-32 Whiz Nut
13	16-0641270-65	---	#6 Teflon Shoulder Washer (#5743-TE-250-063-140)
14	16-0050512-71	---	#6 Int. Tooth L/W S.S. (MS35333-71)

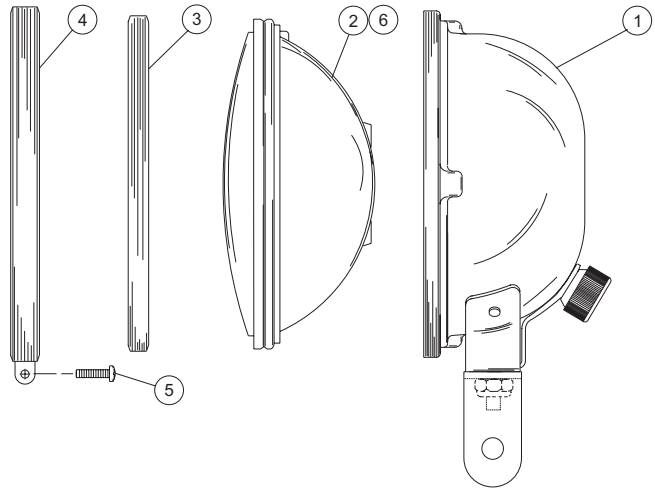


Model A730-1 & -5 Tail Floodlight Assembly for Vertical Fin
 Models: A7301, 61° light beam centerline A7305, 35° light beam centerline

Figure 47 Model A715-1 Parts

Item	WAT P/N	Model No.	Description
1	02-0370139-00	7013900	A723 PAR-36 Lamp Housing Assembly, A715-1
2	(See Note)	---	Lamp, PAR-36, (See NOTE)
3	38-0240197-01	4019701	Gasket, PAR-36
4	19-250147-000	50147000	Clamp Ring, PAR-36
5	14-0050503-32	---	#6-32 x 3/4" Phillips PHMS (MS51957-32)
6	34-0750692-00	Q5596	Quartz PAR-36, 28V/250W Landing

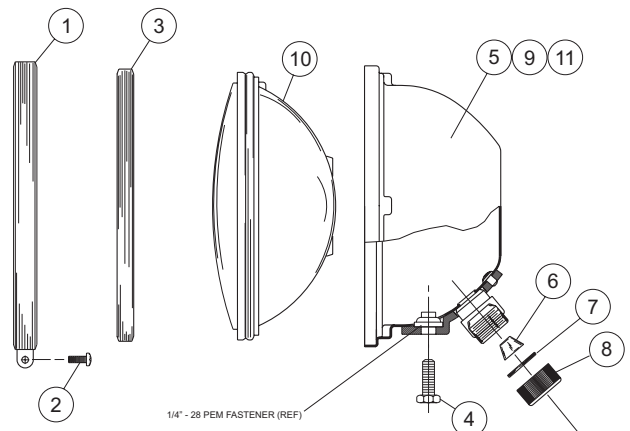
NOTE: Model A715-1 (P/N 01-0770155-00) will accept any 250 Watt or less Par-36 lamp or equivalent. Model A715-1-02 Assembly. (P/N 01-0770155-02) is supplied with Q5596 lamp.



Model A715-1 Series for Standard PAR-36 Lamp Assembly
 Models: A7151, Housing only, less lamp 7015502, Housing with #Q5596 lamp

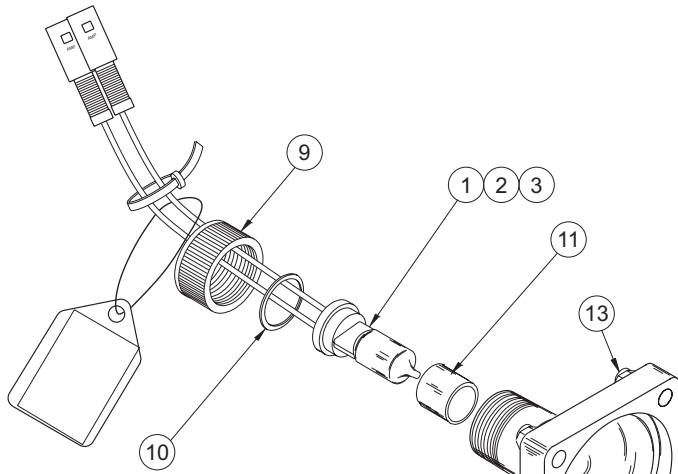
Figure 48 Model 90095 Parts

Item	WAT P/N	Model No.	Description
1	19-270407-000	70407000	Clamp Ring, PAR-46 S/S
2	14-0622216-121	---	#6-32 x 3/4" SEMS w/INT Tooth LKWSHR
3	38-0240063-00	4006300	PAR-46 Gasket
4	14-138436-120	---	1/4-28 x 3/4" Hex HD. Bolt S.S.
5	02-0370483-00	7048300	Housing Assembly, 90095-02 & -04 (PAR-46 Right)
6	21-31031608-0	---	Compression Plug
7	16-1502280-06	---	A713 Washer-Spacer
8	22-0430254-14	---	Cap-Power Plug
9	02-0370484-00	7048400	Housing Assembly, 90095-03 & -05 (PAR-46 Left)
10	34-0828040-9N	---	Lamp, PAR-46 GE 4580
11	02-0370691-00	7069100	PAR-46 Housing Assembly, Model 90095-06 & -07



Model 90095 Landing Light PAR-46 Lamp Assembly
 Models: 9009504, Right Side mount w/4580 lamp 9009505, Left Side mount w/4580 lamp
 9009507, Housing only, less lamp

LANDING / TAXI / RECOGNITION REPLACEMENT PARTS - EXTERNAL LIGHTHEADS



Model 90093 Ice Detection Light (Obsolete)

Models: 9009300, ICE Detection Light Assembly, 28 VDC
9009303 ICE Detection Light Assembly, 14 VDC

NOTE: Model 90093 Ice Detection Light with halogen lamp assemblies (Item Numbers 1-3) are replaced with new models with **LED lamp assemblies**. Contact Factory for availability for new **LED models with these Part Numbers:**
01-0772041-01 = Piper
01-0772042-00 = like 90093 Connectors

Figure 49 Model 90093 Parts (Obsolete)

Item	WAT P/N	Model No.	Description
1	02-0250325-00	5032500	Lamp Assembly, Ice Light (28V, 25W) 90093-00 & -02
2	02-0250325-01	N/A	Lamp Assembly, Ice Light (14V, 12W) 90093-01
3	02-0250325-02	5032502	Lamp Assembly, Ice Light (14V, 25W) 90093-03
4	38-0415624-00	1562400	O-Ring, 1.670" ID x .070" THK, Silicone 70 DURO
5	68-3650324-30	5032430	Lens, Clear, Ice Light
6	68-3650324-00	---	Lens (Frosted), Ice Light
7	38-0130483-00	---	Gasket Ice Light
8	14-0050503-32	---	#6-32 x 3/4" Phillips PHMS (MS51957-32)
9	22-0430254-14	---	End Cap Bushing
10	16-1502280-06	---	Gasket, Lamp Assembly
11	21-27091314-0	---	Lamp Bushing
12	02-0330472-00	---	Reflector Housing Assembly
13	13-062720-050	---	Pem Nut, Self-Locking Pem #LKS-632-2

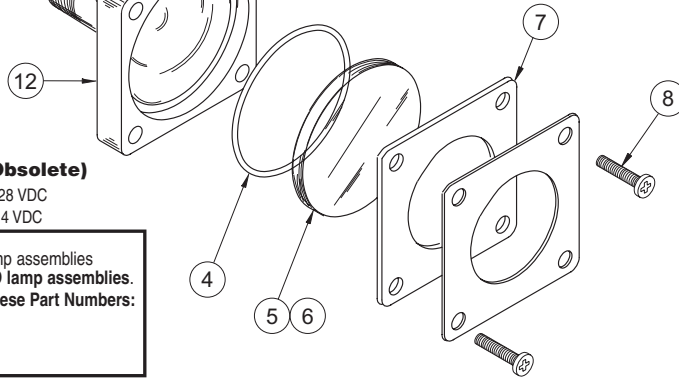
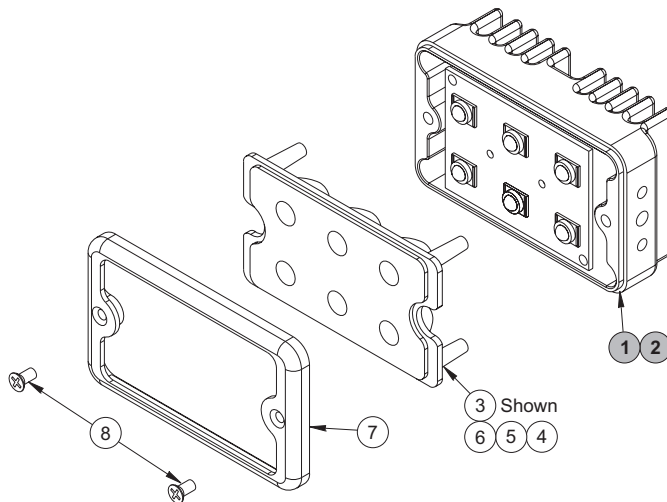


Figure 50 71125 Parts

Item	WAT P/N	Model No.	Description
---	01-0418045-00	RECLENS	Kit, Lens 10/20/90 Degree Optics for 7112510 & -20
1	11-471123-100	---	Housing Assembly, PCB 2" x 3" TIR, 14V
2	11-471123-100	---	Housing Assembly PCB 2" x 3" TIR, 28V
3	68-5971136-00	---	Reflector, Clear Optic TIR 2" x 3" 10°
4	68-5971199-00	---	Reflector, Clear Optic TIR 2" x 3" 20°
5	68-3971198-30	---	Lens, Clear 2" x 3" 90°
6	68-5971277-00	---	Reflector, Clear Optic TIR 2" x 3" w/Spreader
7	11-471138-100	---	Bezel, TIR Reflector 2" x 3" Optic
8	14-0050581-04	---	4-40 x 3/8" 110° CSK PFH

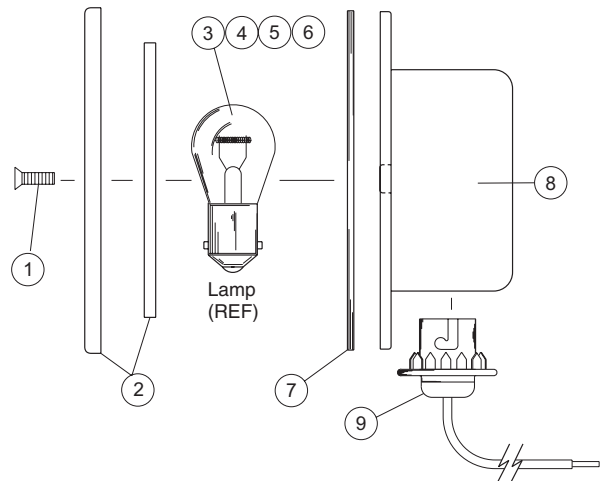


Model 71125 Series LED Recognition Light

Models: 7112510 10 degree beam pattern, 14 VDC
7112511 20 degree beam pattern, 14 VDC
7112512 90 degree beam pattern, 14 VDC
7112520 10 degree beam pattern, 28 VDC
7112521 20 degree beam pattern, 28 VDC
7112522 90 degree beam pattern, 28 VDC

Figure 51 A360-() Parts

Item	WAT P/N	Model No.	Description
1	14-0050509-15	---	#4-40 x 3/8" Phillips FHMS (MS51959-15)
2	02-0350291-00	---	Lens Assembly
3	34-1114020-5A	---	Lamp - 9W, 14V (#631)
4	34-1128020-6A	---	Lamp - 9W, 28V (#303)
5	34-1114020-7A	---	Lamp - 18W, 14V (#1141)
6	34A1128020-84	---	Lamp - 18W, 28V (#307)
7	38-0250124-00	5012400	Gasket A364, used on A360 Series
8	11-470123-002	---	Reflector Housing (Assembly)
9	33-05330245-0	302450	Lamp Socket, used on A360 Series
10	02-0350291-00	N/A	Lens Retainer Assembly, used on A360 Series



Model A360-() Interior Lights (Compartment Flooding / General Lighting)

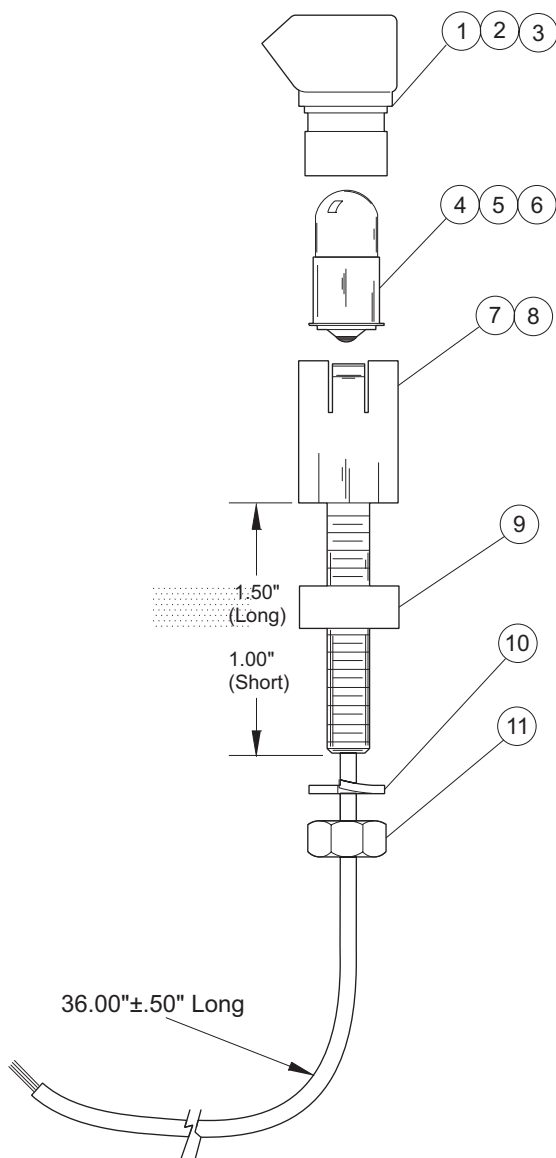
Models: A360631, #631 lamp, 9 W, 14 VDC
A360S, #631 lamp, 9 W, 14 VDC w/switch
A360303, #303 lamp, 9 W, 28 VDC
A360S303, #303 lamp, 9 W, 28 VDC w/switch
A3601141, #1141 lamp, 18 W, 14 VDC
A360SW1, #1141 lamp, 18 W, 14 VDC w/switch
A360307, #307 lamp, 18 W, 28 VDC
A360S307, #307 lamp, 18 W, 28 VDC w/switch

INTERIOR REPLACEMENT PARTS - CARGO LIGHT / MAP LIGHT

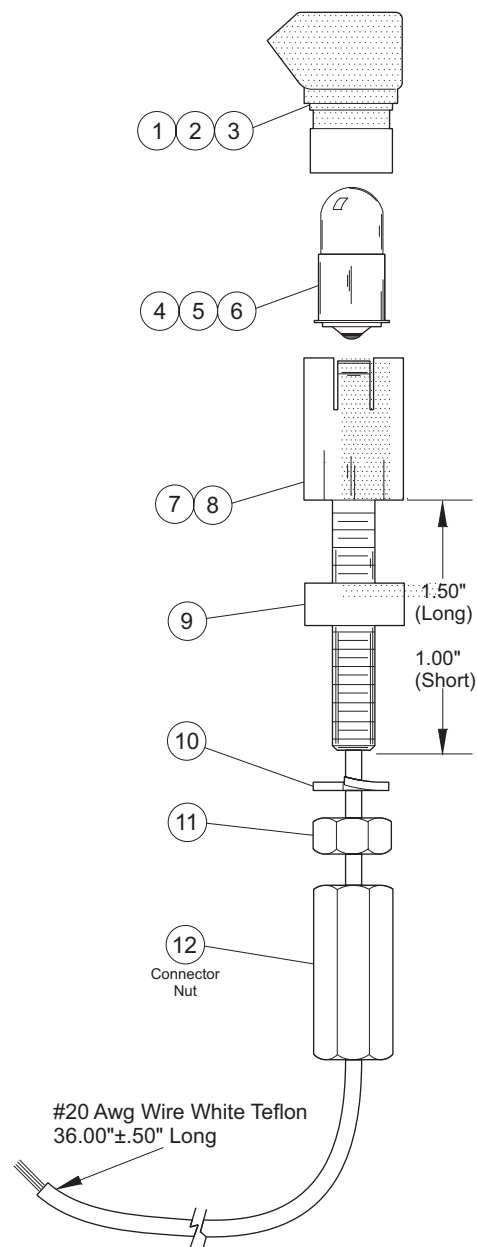
Figure 52 Model A350 Series Parts			
Item	WAT P/N	Model No.	Description
1	02-0350281-00	A354IWBK	Post Light Head Assembly Instrument, White, (Black)
2	02-0350281-03	A354CLBK	Post Light Head Assembly, Clear, (Black)
3	02-0350281-06	A354RDBK	Post Light Head Assembly, Red, (Black)
4	34-0406060-82	---	#328 Bulb, 6 Volt
5	34-0414050-75	---	#330 Bulb, 12 Volt
6	34-0428050-76	---	#327 Bulb, 28 Volt
7	02-0350282-00	5028200	Post Assembly - Black 1" (Short)
8	02-0370534-00	7053400	Post Assembly - Black 1" (Short)
9	20-0824130A-00	A359	Spacer, A-359 Post Light Nylon (.125" Thick)
10	16-0831010-02	---	#8 Split Lockwasher
11	13-082130-040	---	#8-32 x 1/4" Brass Hex Nut

Figure 53 Model A350CN Series Parts			
Item	WAT P/N	Model No.	Description
1	02-0350281-00	A354IWBK	Post Light Head Assembly Instrument, White, (Black)
2	02-0350281-03	A354CLBK	Post Light Head Assembly, Clear, (Black)
3	02-0350281-06	A354RDBK	Post Light Head Assembly, Red, (Black)
4	34-0406060-82	---	#328 Bulb, 6 Volt
5	34-0414050-75	---	#330 Bulb, 12 Volt
6	34-0428050-76	---	#327 Bulb, 28 Volt
7	02-0350282-01	5028201	Post Assembly - Black 1-1/2" (Long)
8	02-0370534-02	5028201	Post Assembly - Black 1-1/2" (Long)
9	20-0824130A-00	A359	Spacer, A-359 Post Light Nylon (.125" Thick)
10	16-0831010-02	---	#8 Split Lockwasher
11	13-082130-040	---	#8-32 x 1/4" Brass Hex Nut
12	02-0350183-00	A343	Connector Nut Assembly

Model A350



Model A350,CN



Model A350 Series Instrument Post Light Assemblies

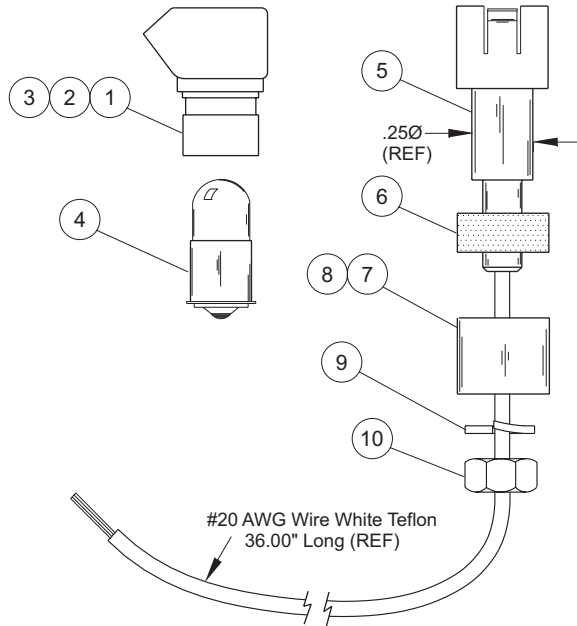
Models: A35014LC-LR-LW-SC-SR-SW A350 Instrument Post Light Assemblies, 14V
 A35028LC-LR-LW-SC-SR-SW A350 Instrument Post Light Assemblies, 28V

Model A350CN Series Instrument Post Light Assemblies

Models: A350N03-05-06-07-08-09-10-11-12-13-14-15-16-17-21-23-24-26-27-28
 -29-30-32-33-35 A350CN Instrument Post Light Assy's with Connector Nut

INTERIOR REPLACEMENT PARTS - MAP LIGHTS

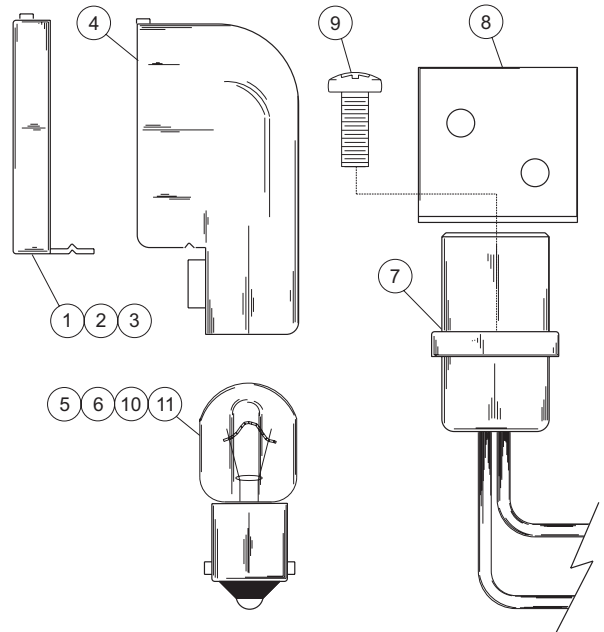
Figure 54 70348 Series Parts			
Item	WAT P/N	Model No.	Description
1	02-0350281-00	A354IWBK	Post Light Head Ass'y, A354, Instrument White (Black)
2	02-0350281-06	A354RDBK	Post Light Head Assembly, A354, Red (Black)
3	02-0350281-03	A354CLBK	Post Light Head Assembly, A354, Clear, (Black)
4	34-0428050-76	---	Lamp 28V (GE #327)
5	02-0350300-00	5030000	Base Post Light Assembly
6	20-0524139A09	---	Spacer .160" Thick
7	20-1330399-00	---	Spacer Sleeve (Long)
8	20-1330449-00	---	Spacer Sleeve (Short)
9	16-1031060-04	---	#10 Split Lockwasher
10	20-0408102A19	---	#10-32 UNF-2B Standoff .25" HEX x .12" Thick



Model 70348 Series Instrument Post Lights

Models: 7034800 Instrument White, 28 VDC 7034801 Red with spacer, 28 VDC
 7034802 Clear, 28 VDC 7034803 Red, 28 VDC

Figure 55 A315-HI Series Parts			
Item	WAT P/N	Model No.	Description
1	02-0330382-00	N/A	Bracket/Lens Assembly (Red), used on A315 Hi & Lo
2	02-0330382-01	N/A	Bracket/Lens Assembly (White), used on A315 Hi & Lo
3	02-0330382-02	N/A	Bracket/Lens Assembly (Blue), used on A315 Hi & Lo
4	68-5150114-01	A312	Hood, Cover
5	34-0414020-54	1414	Lamp, G.E. #1414, 14V, 6CP
6	34-0428020-55	1495	Lamp, G.E. #1495, 28V, 6CP
7	02-0350196-00	---	Lamp Socket Assembly
8	07-230231-001	30231001	Bracket, Mounting, A315-HI Series
9	14-0050503-26	---	#6-32 x 1/4" Phillips PHMS (MS51957-26)
10	34-0050569-00	---	Lamp, G.E. #1864 28V 3CP
11	34-1128020-9A	---	Lamp, G.E. #1819 28V .3 CP

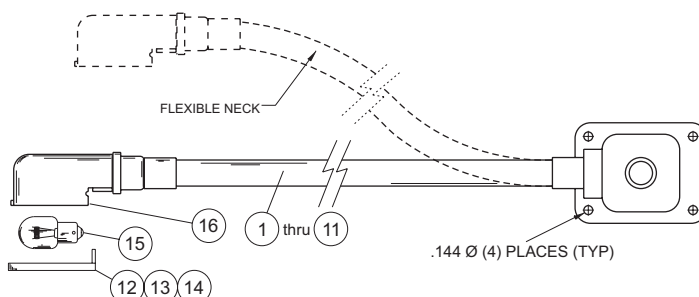


Model A315-HI Series Cockpit Utility Light Assembly

Models: A315HIR1 Red lens, 14 VDC A315HIR2 Red lens, 28 VDC
 A315HIW1 White lens, 14 VDC A315HIW2 White lens, 28 VDC
 A315HIB1 Instrument White lens, 14 VDC A315HIB2 Instrument White lens, 28 VDC

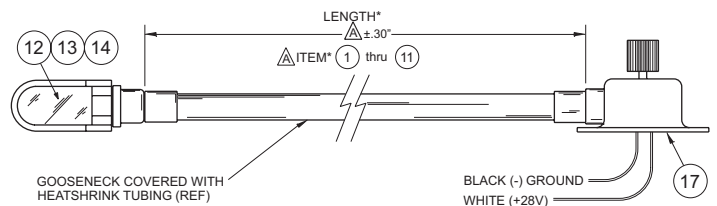
Figure 56 Model C-70190 Series Parts			
Item	WAT P/N	Model No.	Description
1	26-1350242-04	---	Flex Arm (4.00")
2	26-1350242-06	---	Flex Arm (6.00")
3	26-1350242-08	---	Flex Arm (8.00")
4	26-1350242-10	---	Flex Arm (10.00")
5	26-1350242-12	---	Flex Arm (12.00")
6	26-1350242-14	---	Flex Arm (14.00")
7	26-1350242-16	---	Flex Arm (16.00")
8	26-1350242-18	---	Flex Arm (18.00")
9	26-1350242-20	---	Flex Arm (20.00")

Item	WAT P/N	Model No.	Description
10	26-1350242-22	---	Flex Arm (22.00")
11	26-1350242-24	---	Flex Arm (24.00")
12	02-0330382-00	---	Lens Assembly (Red)
13	02-0330382-01	---	Lens Assembly (White)
14	02-0330382-02	---	Lens Assembly (Blue)
15	34-0428020-55	---	Lamp #1495
16	68-5150114-01	---	A312 Hood Cover
17	11-370207-007	---	Mounting Base
-	-	-	-



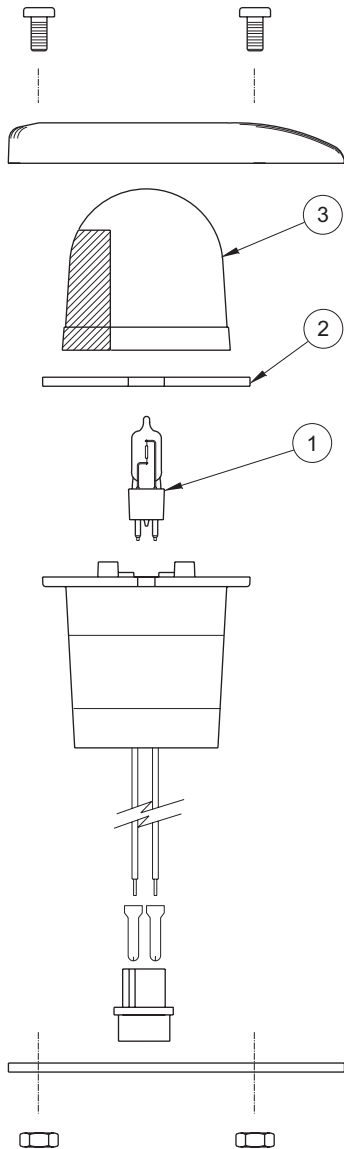
Model C70190 Interior Gooseneck Light Assembly

Model: 70190 () 01-0770190() Variable, as requested (see chart)



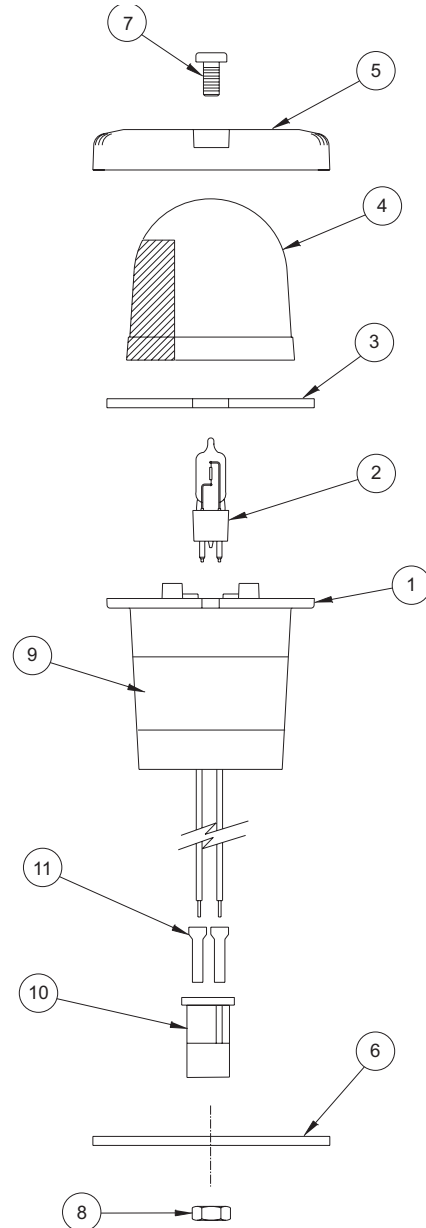
INTERIOR REPLACEMENT PARTS - MAP LIGHTS

Figure 57 7078600 Series (Obsolete)			Figure 58 7078601 Series (Obsolete)		
Item	WAT P/N	Model No. Description	Item	WAT P/N	Model No. Description
---	02-0270791-01	7079101 Base Assembly, Flasher, 70786	1	02-0270791-01	7079101 Base Assembly - Flasher, 70786
1	34-0041987-02	4198702 Lamp, Snap-In 28V 35Watt	2	34-0041987-02	4198702 Lamp, Snap-In 28V 35W
2	38-0250761-00	5076100 Gasket, Lens, 70786 Series	3	38-0250761-00	5076100 Gasket - Lens, 70786 Series
3	68-0050630-51	5063051 Lens, Red Masked	4	68-0050630-51	5063051 Lens, Red Masked
---	19-170802-100	70802100 Retainer, Lens, used on 7078600	5	19-170789-100	70789100 Retainer, Lens for 7078601
---	38-0250781-00	---	6	38-0250762-00	5076200 Gasket, Base Mounting, used on 7078601
---	14-0050504-47	---	7	14-0050504-47	---
---	13-082111-053	---	8	13-082111-053	---
---	39-0402313-04	---	9	39-0402023-04	---
---	39-0501316-04	---	10	39-0501326-04	---



Model 7078600 Ground Recognition Light Flasher Assembly

Model: 7078600 Ground Recognition, 35 W Halogen Lamp, Masked Aviation Red Glass Lens



Model 7078601 Ground Recognition Light Flasher Assembly

Model: 7078600 Ground Recognition, 35 W Halogen Lamp, Masked Aviation Red Glass Lens

NOTE: Model 7078600 Ground Recognition Light Flasher Assembly is OBSOLETE, REPLACED with new models with LED lamp assemblies. Contact Factory for availability for the Replacement Model 71560-50 with: Part Number: 01-0771560-50 = LED Ground Recognition Light Assembly, 28 VDC

NOTE: Model 7078601 Ground Recognition Light Flasher Assembly is OBSOLETE, REPLACED with new models with LED lamp assemblies. Contact **TEXTRON** for availability for the Replacement Model 71560-00 with: Part Number: 01-0771560-00 = LED Ground Recognition Light Assembly, 28 VDC

INTERIOR REPLACEMENT PARTS - FLASHERS

Figure 59 REPLACEMENT PARTS

Item	WAT P/N	Model No.	Description	Dwg. No.
—	—	—	—	—
2	34-0070373-02	W628	Reflector Lamp, 26.5V, 26W	70373
3	34-0070375-01	W632	Reflector Lamp, 28V, 28W	70375
4	34-0070374-01	W674	Lamp, Reading Light 28V	70374
5	34-0070391-01	W678	Reflector Lamp, 28V, 21W	70391
6	34-0070392-01	W684-24	Lamp, Reflector 28V, 40W	70392
7	34-0270398-9H	W692	Lamp, D.C. Bayonet 28V, 25W	70398
8	34-0070373-01	W1512	Reflector Lamp, 12V, 21W	70373
9	34-0070373-03	W1524	Reflector Lamp, 24V, 21W	70373
10	34-0070372-01	WA417424	Reflector Lamp, 28V, 40W	70372
11	34-0070371-02	WA7079B1	Reflector Lamp, 14V, 40W	70371
12	34-0070371-01	WA7079B2	Reflector Lamp, 28V, 40W	70371
13	34-0414020-65	W129014	Reflector Lamp, 14V, 26W	70373
14	34-0428020-65	W129028	Lamp, Reflector 28V, 26W	70373
15	34-0050315-01	WA99067	Lamp, (Threaded), 28V, 1.12W (.04 Amp)	50315
16	34-0070372-02	W11631	Reflector Lamp, 6.2V, 40W	70372

**REPLACEMENT PARTS
LAMPS AND REFLECTOR LAMPS**

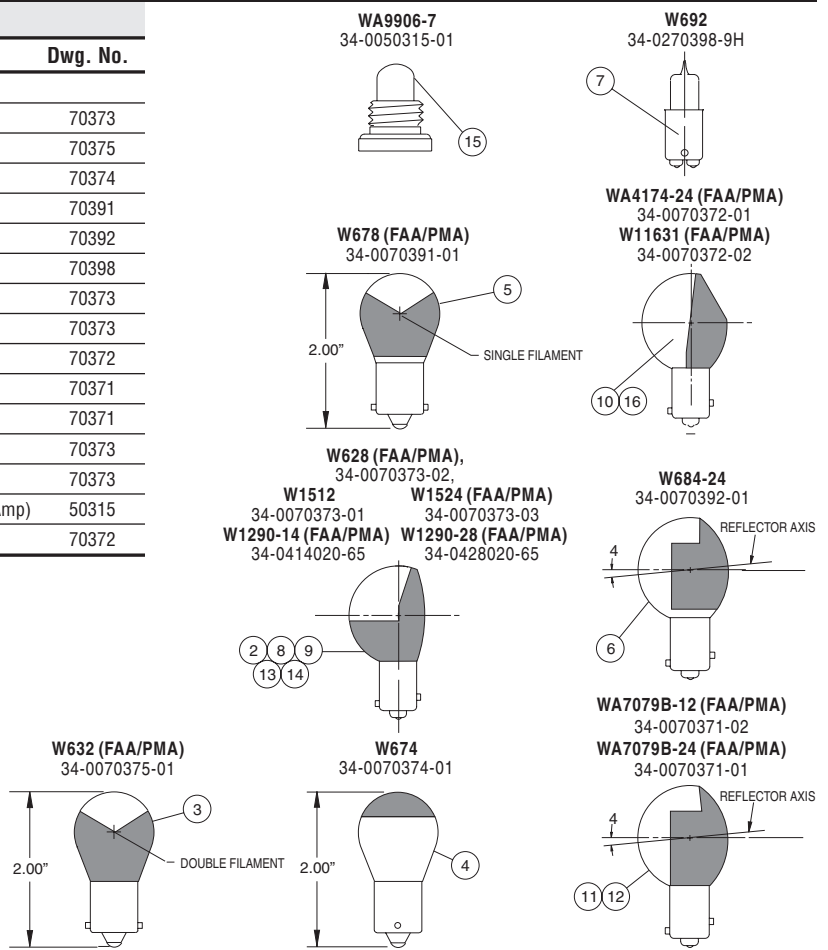
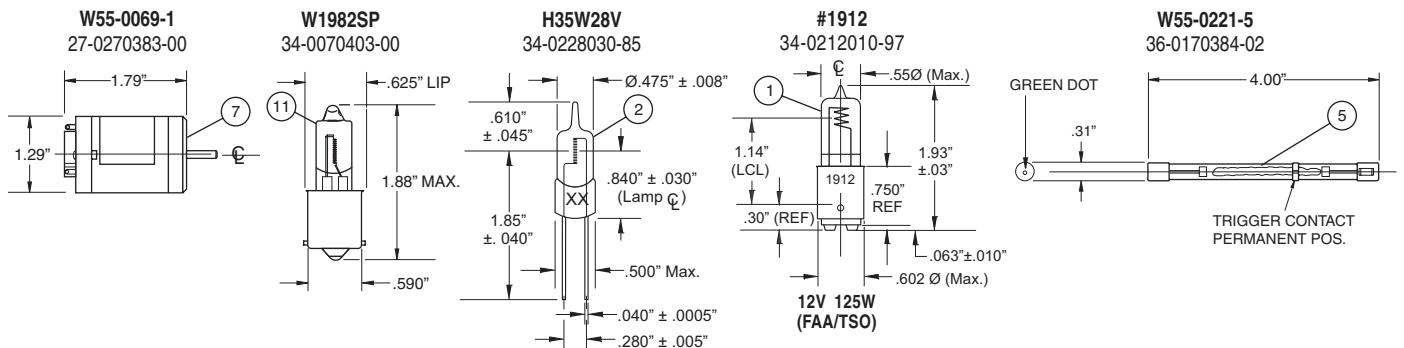


Figure 60 WHELEN AEROSPACE REPLACEMENT PARTS

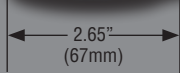
Item	WAT P/N	Model No.	Description	Dwg. No.
—	—	—	—	—
1	34-0212010-97	#1912	Lamp, (12V, 125W), Quartz Glass, Double Contact Bayonet Base	50629
2	34-0228030-85	*H35W28V	Halogen Lamp, (28V, 35W)	21332
—	—	—	—	—
3	36-0170387-01	W5506817	Strobe Tube (Quartz)	70387
—	—	—	—	—
5	36-0170384-02	W5502215	Strobe Tube (Quartz)	70384
6	36-0170384-01	W5502211	Strobe Tube (Pyrex)	70384
7	27-0270383-00	W5500691	Motor Assembly, 28V D.C.	70383
—	—	—	—	—
—	—	—	—	—
10	68-3670390-30	WA45131	Lens (Aviation White)	70390
11	34-0070403-00	W1982SP	Lamp, 28V, 75W	70403

MOTOR ASSEMBLY

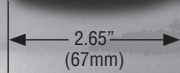


STROBE to LED REPLACEMENT

Model A470AS
Strobe



Model A470AR
Strobe



LEDs
LEDs have direct DC voltage hook-up, without any need for a Power Supply!

Mounting Position Fits

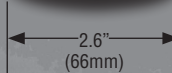


Model 90520 LED
01-0790520-01 (28 VDC)
01-0790520-51 (14 VDC)
Fixed Wing Class III

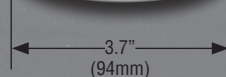
or



Model 71080 LED
01-0771080-01 (28 VDC)
01-0771080-51 (14 VDC)
All Red Helicopter Class I and Fixed Wing Aircraft Class III



Model HR,CFA
Strobe
(with integrated "Self-Contained" Strobe Power Supply)



Mounting Position Fits



Model 90520 LED
01-0790520-05 (28 VDC)
01-0790520-55 (14 VDC)

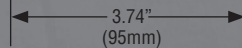


Model A440 19-130074-009
Ring usually installed inward

or



Model 71080 LED
01-0771080-05 (28 VDC)
01-0771080-55 (14 VDC)
All Red Helicopter and others



WHELEN[®] AEROSPACE TECHNOLOGIES

51 Winthrop Road, Chester, Connecticut 06412-0684
Phone: (860) 526-9504 • FAX: (860) 526-2009

Web: www.flywat.com • Email: info@flywat.com • Whelen Aerospace 800 FAX Order Line Only: (800) 637-8762

STROBE POWER SUPPLY REPLACEMENT LISTING

Old Part Number	Old Model Number	Description	Current Replacement	
A413,HS-41-14	HS,41	Single strobe unit, SingleFlash, 14 VDC, 33 joule	Model HDACF P/N 01-0770028-05	
A413,HS-41-28	HS,41	Single strobe unit, SingleFlash, 28 VDC, 33 joule		
A413,HD-14	HD	Dual strobe unit, SingleFlash, 14 VDC, alternating		
A413,HD-28	HD	Dual strobe unit, SingleFlash, 28 VDC, alternating		
A413,HD-42-14	HD,42	Dual strobe unit, SingleFlash, 14 VDC, alternating, 33 joule		
A413,HD-42-28	HD,42	Dual strobe unit, SingleFlash, 28 VDC, alternating, 33 joule		
A413,T2-14	HD,T2	Dual strobe unit, SingleFlash, 14 VDC, simultaneous, 16 joule		
A413,T2-28	HD,T2	Dual strobe unit, SingleFlash, 28 VDC, simultaneous, 16 joule		
A413,T2-DF-14	HD,T2,DF	Dual strobe unit, DoubleFlash, 14 VDC, simultaneous, 16 joule		
A413,T2-DF-28	HD,T2,DF	Dual strobe unit, DoubleFlash, 28 VDC, simultaneous, 16 joule		
A413,T3-14	HD,T3	3 strobe unit, SingleFlash, 14 VDC, w/trigger function		
A413,T3-28	HD,T3	3 strobe unit, SingleFlash, 28 VDC, w/trigger function		
A413,HD,DF-14	HD,DF	3 strobe unit, DoubleFlash, 14 VDC		
A413,HD,DF-28	HD,DF	3 strobe unit, DoubleFlash, 28 VDC		
A413,T3-DF-14	HD,T3,DF	3 strobe unit, DoubleFlash, 14 VDC, w/trigger function		
A413,T3-DF-28	HD,T3,DF	3 strobe unit, DoubleFlash, 28 VDC, w/trigger function		
A413A,HDA-DF-14	HDA,DF-14	4 strobe unit, DoubleFlash, 14 VDC		
A413A,HDA-DF-28	HDA,DF-28	4 strobe unit, DoubleFlash, 28 VDC		
A413A,HDA-DF-14/28	HDA,DF-14/28	4 strobe unit, DoubleFlash, 14 or 28 VDC		
A413A,HDA-CF-14/28	HDA,CF-14/28	4 strobe unit, CometFlash*, 14 or 28 VDC		
A412A,HS-14	HS,14	Single strobe unit, SingleFlash, 14 VDC		Model A490ATSC P/N 01-0770062-03
A412A,HS-28	HS,28	Single strobe unit, SingleFlash, 28 VDC		
A412A,HS,DF-14	HS,DF-14	Single strobe unit, DoubleFlash, 14 VDC		
A412A,HS,DF-28	HS,DF-28	Single strobe unit, DoubleFlash, 28 VDC		
A490,TS-14	HTS	Single strobe unit, SingleFlash, 14 VDC		
A490,TS-28	HTS	Single strobe unit, SingleFlash, 28 VDC		
A490A,TS,DF	HTS-DF	Single strobe unit, DoubleFlash, 14 or 28 VDC		
A490A,TS,CF-14/28	HTS-CF	Single strobe unit, CometFlash, 14 or 28 VDC	Model A490TCF P/N 01-0770006-08	
A490,T-14	HT	Single strobe unit, SingleFlash, 14 VDC		
A490,T-28	HT	Single strobe unit, SingleFlash, 28 VDC		
A490,T,DF-14	HT,DF	Single strobe unit, DoubleFlash, 14 VDC		
A490,T,DF-28	HT,DF	Single strobe unit, DoubleFlash, 28 VDC		
A490,T,DF-14/28	HT,DF	Single strobe unit, DoubleFlash, 14 or 28 VDC		
A490,T,CF-14/28	HT,CF	Single strobe unit, CometFlash, 14 or 28 VDC		Model A490TCCF P/N 01-0770006-09
A490,TC,DF-14	HTC,DF	Single strobe unit, DoubleFlash, 14 VDC w/mtg. plate		
A490,TC,DF-28	HTC,DF	Single strobe unit, DoubleFlash, 28 VDC w/mtg. plate		
A490,TC,DF-14/28	HTC,DF	Single strobe unit, DoubleFlash, 14 or 28 VDC w/mtg. plate		
A490,TC,CF-14/28	HTC,CF	Single strobe unit, CometFlash, 14 or 28 VDC w/mtg. plate	Model HRCFA P/N 01-0770029-() Specify lens color R=Red, W=White S=Split Red/White	
-	HR,14	Self-Contained Strobe, 14 VDC		
-	HR,28	Self-Contained Strobe, 28 VDC		
-	HR,DF,14	Self-Contained Strobe, DoubleFlash 14 VDC		
-	HR,DF,28	Self-Contained Strobe, DoubleFlash 28 VDC		
-	HR,DF,14/28	Self-Contained Strobe, DoubleFlash 14 or 28 VDC		
-	HR,DFA,14/28	Self-Contained Strobe, DoubleFlash 14 or 28 VDC (A402A lens)		

Below is the code system Whelen Aerospace uses to identify and manufacture the type and style Post Light you're looking for, this code sheet shows the permutations of the most common constructions that are in our system. In other words, its a way to reference what enters our ordering system versus the construct of the Ordering Code found in the Catalog.

BREAKDOWN	MODEL #	PART NUMBER
A350CN-IW-BK-LG-6	A350CN00	01-0770119-00
A350CN-RD-BK-LG-6	A350CN01	01-0770119-01
A350CN-CL-BK-LG-6	A350CN02	01-0770119-02
A350CN-IW-BK-SH-6	A350CN03	01-0770119-03
A350CN-RD-BK-SH-6	A350CN04	01-0770119-04
A350CN-CL-BK-SH-6	A350CN05	01-0770119-05
A350CN-IW-BK-LG-14	A350CN06	01-0770119-06
A350CN-RD-BK-LG-14	A350CN07	01-0770119-07
A350CN-CL-BK-LG-14	A350CN08	01-0770119-08
A350CN-IW-BK-SH-14	A350CN09	01-0770119-09
A350CN-RD-BK-SH-14	A350CN10	01-0770119-10
A350CN-CL-BK-SH-14	A350CN11	01-0770119-11
A350CN-IW-BK-LG-28	A350CN12	01-0770119-12
A350CN-RD-BK-LG-28	A350CN13	01-0770119-13
A350CN-CL-BK-LG-28	A350CN14	01-0770119-14
A350CN-IW-BK-SH-28	A350CN15	01-0770119-15
A350CN-RD-BK-SH-28	A350CN16	01-0770119-16
A350CN-CL-BK-SH-28	A350CN17	01-0770119-17
A350CN-IW-GR-LG-6	A350CN18	01-0770119-18
A350CN-RD-GR-LG-6	A350CN19	01-0770119-19
A350CN-CL-GR-LG-6	A350CN20	01-0770119-20
A350CN-IW-GR-SH-6	A350CN21	01-0770119-21
A350CN-RD-GR-SH-6	A350CN22	01-0770119-22
A350CN-CL-GR-SH-6	A350CN23	01-0770119-23
A350CN-IW-GR-LG-14	A350CN24	01-0770119-24
A350CN-RD-GR-LG-14	A350CN25	01-0770119-25
A350CN-CL-GR-LG-14	A350CN26	01-0770119-26
A350CN-IW-GR-SH-14	A350CN27	01-0770119-27
A350CN-RD-GR-SH-14	A350CN28	01-0770119-28
A350CN-CL-GR-SH-14	A350CN29	01-0770119-29
A350CN-IW-GR-LG-28	A350CN30	01-0770119-30
A350CN-RD-GR-LG-28	A350CN31	01-0770119-31
A350CN-CL-GR-LG-28	A350CN32	01-0770119-32
A350CN-IW-GR-SH-28	A350CN33	01-0770119-33
A350CN-RD-GR-SH-28	A350CN34	01-0770119-34
A350CN-CL-GR-SH-28	A350CN35	01-0770119-35

WHELEN AEROSPACE CROSS REFERENCE LISTS

WHELEN AEROSPACE/AEROFLASH/CESSNA CROSS REFERENCE LIST

Whelen Aerospace Model	Whelen Aerospace P/N	Whelen Aerospace LED Equivalent Model #	Cessna P/N	Aeroflash P/N	Description
A427-3	38-0130106-00	–	C622006-0105	80-0018	Strobe Tube Gasket/Spacer
A427	02-0250274-00	–	C622006-0106	073-0270	Strobe Flash Tube Assembly
A427	02-0250274-00	–	C622006-0108	073-0270	Strobe Flash Tube Assembly
A428	68-4290001-30	–	C622006-0103	111-0016	Wingtip Strobe Lens (Clear)
A426	19-1900000-009	–	–	101-0084	Lens Retainer
A650PG14	01-0770054-00	7111001	–	073-0530G	Strobe/Position Light Assembly, 14V, Green
A650PR14	01-0770054-02	7111002	–	073-0530R	Strobe/Position Light Assembly, 14V, Red
A600PG14	01-0790006-00	9034001	–	073-0540G	Strobe/Position/Tail Light Assembly, 14V, Green
A600PR14	01-0790006-02	9034002	–	073-0540R	Strobe/Position/Tail Light Assembly, 14V, Red
A490TCCF	01-0770006-09	–	C622008-0101	152-0007	Strobe Power Supply, 14V
A490TCCF	01-0770006-09	–	C622007-0101	152-0008	Strobe Power Supply, 14V
A490TCCF	01-0770006-09	–	C622008-0102	152-0009	Strobe Power Supply, 28V
A490TCCF	01-0770006-09	–	C622007-0103	152-0010	Strobe Power Supply, 28V
A490TCCF	01-0770006-09	–	–	152-0011	Strobe Power Supply, 14V, Double Flash
7050900	01-0770509-00	7105500	C621001-0106	151-0001	Flasher Assembly (Red 14V)
7050903	01-0770509-03	7105501	C621001-0102	151-0004	Flasher Assembly (Red 28V)
SA406	02-0350053-00	–	–	073-0141	Strobe Flash Tube Assembly
28V150W	34-0226010-91	–	C17312-1	040-0003	Halogen Lamp, 28V, 150W
12V125W	34-0212010-97	–	C17312-3	040-0028	Halogen Lamp, 14V, 125W

WHELEN AEROSPACE/SDI/HOSKINS CROSS REFERENCE LIST

Whelen Aerospace Model	Whelen Aerospace P/N	Whelen Aerospace LED Equivalent Model #	SDI/HOSKINS Part Number	Description
A650	01-0770053-00	–	701303-1	Wingtip Strobe Flash Tube Assembly, Left
A650	01-0770053-00	–	701303-2	Wingtip Strobe Flash Tube Assembly, Right
A430	01-0770031-00	–	30-0005-1	Wingtip Strobe Flash Tube Assembly (Amp Conn.)
A625	01-0770058-00	–	30-0005-1	Wingtip Strobe Flash Tube Assembly (Amp Conn.)
A625	01-0770058-00	–	30-0005	Wingtip Strobe Flash Tube Assembly (MS Conn.)
A450	01-0770032-00	–	201803-1	Remote Strobe Light Assembly, White Lens
A470AR	01-0770019-18	–	201803-2	Remote Strobe Light Assembly, Red Lens
A470AW	01-0770019-19	–	201945-1	Remote Strobe Light Assembly, White Lens
A470AR	01-0770019-18	–	201945-2	Remote Strobe Light Assembly, Red Lens
A470AS	01-0770019-20	–	201945-7	Remote Strobe Light Assembly, Red/White Lens
A500AV14	01-0770024-00	–	701557-1	Combination Nav/Strobe Taillight 14V
A500AV28	01-0770024-01	–	701557-2	Combination Nav/Strobe Taillight 28V
A500AV14	01-0770024-00	–	701557-1M	Combination Nav/Strobe Taillight 14V (Mooney)
A500AV14	01-0770024-00	–	701557-5	Combination Nav/Strobe Taillight 14V (Beech)
A500AV28	01-0770024-01	–	701557-6	Combination Nav/Strobe Taillight 28V (Beech)
HRCFAW	01-0770029-30	–	701620-1	Bright Star 14V, Self-Contained Strobe (Clear Lens)
HRCFAR	01-0770029-29	7090004	701620-2	Bright Star 14V, Self-Contained Strobe (Red Lens)
HRCFAS	01-0770029-31	–	701620-3	Bright Star 14V, Self-Contained Strobe (Red/Clear Lens)
HRCFAW	01-0770029-30	–	700801-1	Silver Star 14-28V, Self-Contained Strobe (Clear Lens)
HRCFAR	01-0770029-29	7090005	700801-2	Silver Star 14-28V, Self-Contained Strobe (Red Lens)
HRCFAS	01-0770029-31	–	700801-7	Silver Star 14-28V, Self-Contained Strobe (Red/Clear Lens)
7028523	01-0770285-23	–	700801-H-1	Silver Star 14-28V, Self-Contained Strobe (Clear Lens) Helicopter
7028525	01-0770285-25	7090501	700801-H-2	Silver Star 14-28V, Self-Contained Strobe (Red Lens) Helicopter
7028524	01-0770285-24	–	700801-H-7	Silver Star 14-28V, Self-Contained Strobe (R/C Lens) Helicopter
A490TCF	01-0770006-08	–	701295-3	Strobe Power Supply (14V)
A490TCF	01-0770006-08	–	701295-4	Strobe Power Supply (24V)
D900287	01-0790028-07	–	701148-7-2	Remote Strobe Light Fixture with MS connector

WHELEN AEROSPACE/GRIMES CROSS REFERENCE LIST

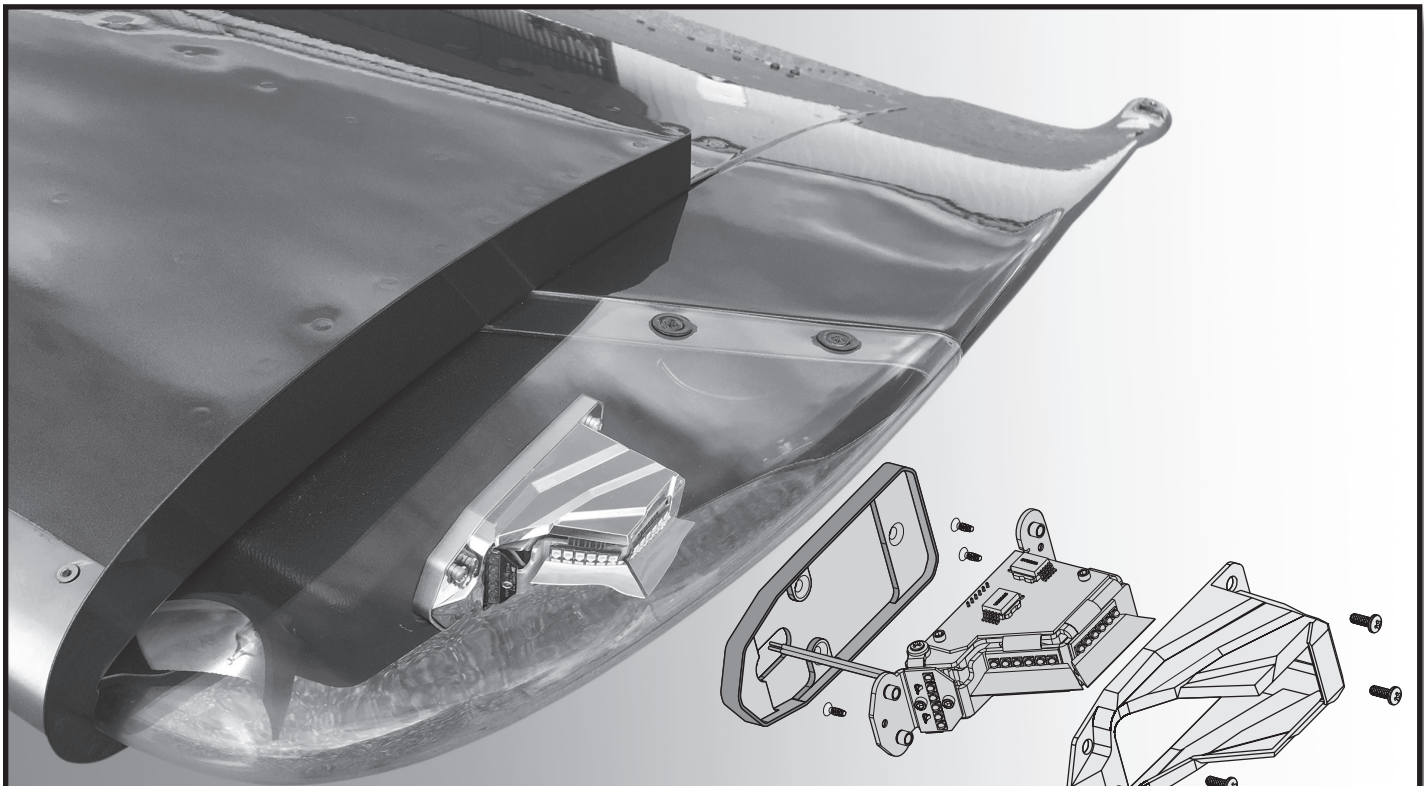
Grimes P/N	Whelen Aerospace P/N	Whelen Aerospace Model	Whelen Aerospace LED Equivalent Model #	Description
A1280-1	68-4230020-30	W1284C	-	Position Light Lens, Clear
A1280-2	68-4230020-50	W1284R	-	Position Light Lens, Red
A1280-3	68-4230020-40	W1284G	-	Position Light Lens, Green
A1285G-14	01-0770001-41	W1285PG1	-	Position Light Assembly, Green, 14V
A1285G-28	01-0770001-42	W1285PG2	-	Position Light Assembly, Green, 28V
A1285R-14	01-0770001-51	W1285PR1	-	Position Light Assembly, Red, 14V
A1285R-28	01-0770001-52	W1285PR2	-	Position Light Assembly, Red, 28V
A1719	01-0770106-()	A315LO-()	-	Cockpit Utility Light
A1815AG-14	01-0770082-02	W1250PG1	-	Position Light Assembly, Green, 14V
A1815AG-28	01-0770082-03	W1250PG2	7101501	Position Light Assembly, Green, 28V
A1815AR-14	01-0770082-00	W1250PR1	-	Position Light Assembly, Red, 14V
A1815AR-28	01-0770082-01	W1250PR2	7101502	Position Light Assembly, Red, 28V
A2064-12 or 14	01-0770034-00	A555AV14	7101112	Tail Position Light Assembly, 14V
A2064-24 or 28	01-0770034-01	A555AV28	7101102	Tail Position Light Assembly, 28V
A4174-24	34-0070372-01	WA4174-24	-	Reflector Lamp, 28V, 40W
A5413-1	68-3670390-30	WA4513-1	-	Lens, Aviation White
A5395	01-0770113-()	A315HI-()	-	Cockpit Utility Light
A6458	27-0270382-00	W6458	-	Motor, 28V
A6532	27-0270381-00	W6532	-	Motor, 28V
A6795	01-0770348-()	70348()	-	Post Light
A7079B-12	34-0070371-02	WA7079B-12	-	Reflector Lamp, 14V, 40W
A7079B-24	34-0070371-01	WA7079B-24	-	Reflector Lamp, 28V, 40W
A7512-12	34-0414020-65	W1290-14	-	Reflector Lamp, 14V, 26W
A7512-24	34-0428020-65	W1290-28	-	Reflector Lamp, 28V, 26W
A8970	01-0770119-()	A350CNRD-()	-	Post Light
A8970B	01-0770119-()	A350CNIW-()	-	Post Light
A8970C	01-0770119-()	A350CNCL-()	-	Post Light
A8970IR	01-0770119-()	A350CNRD-()	-	Post Light
A9906-7	34-0050315-01	WA9906-7	-	Lamp, Miniature Threaded, 28V
B3550-()	01-0770142-()	A360-()	70813 series	Cabin Light Assembly
B3555-()	01-0770142-()	A360S-()	-	Cabin Light Assembly (with switch)
B4150B	01-0770155-01	A715-1	-	Landing Light Housing (PAR-36)
D6490	01-0790095-()	90095-()	-	Landing Light Housing (PAR-46)
D7080A-()	01-0770029-()	HRCFA()	70900 series	Self-Contained Strobe Light
G7740A-()	01-0770029-()	HRCFA()	70900 series	Self-Contained Strobe Light
G8400-()	01-0770029-()	HRCFA()	70900 series	Self-Contained Strobe Light
G9950-()	01-0790044-()	90044()	90088 series	Flashing Beacon
10-0031-()	01-0770210-()	70210()	-	Threshold Light Assembly
10-0035-()		C702321	-	Aisle Light
10-0644-1	01-0770061-()	A325ML()	-	Map light
10-0644-3	01-0770061-()	A325FL()	-	Map light
11631	34-0070372-02	W11631	-	Reflector Lamp, 6.2V, 40W
15-0083-()	01-0770104-()	A300()	-	Map light
1512	34-0070373-01	W1512	-	Reflector Lamp, 12V, 21W
1524	34-0070373-03	W1524	-	Reflector Lamp, 24V, 21W
16870	34-0070371-03	W16870	-	Lamp
1982SP	34-0070403-00	W1982SP	-	Lamp, 28V, 75W
30-0437-1	01-0770030-01	SACF	70900 series	Self-Contained Strobe

WHELEN AEROSPACE/GRIMES CROSS REFERENCE LIST

Grimes P/N	Whelen Aerospace P/N	Whelen Aerospace Model	Whelen Aerospace LED Equivalent Model #	Description
30-0437-100	01-0770029-()	HRCFA()	70900 series	Self-Contained Strobe
30-0465-5	01-0770032-00	A450	-	Remote Strobe Head Assembly
30-0467-()	01-0790028-07	D90028-7	-	Wingtip Strobe Light
30-0467-()	01-0790028-09	D90028-9	-	Tail Strobe Light
30-0504-1	01-0770019-19	A470AW	-	Remote Strobe Light Assembly, White
30-0504-3	01-0770019-18	A470AR	-	Remote Strobe Light Assembly, Red
30-0516-()	01-0770024-()	A500AV()	-	Tail Strobe/Position Light Assembly
30-0531-1	01-0770058-03	A625	-	Remote Strobe Light Assembly
30-0538-1	01-0770054-02	A650PR14	7111002	Strobe/Position Light Assembly, Red, 14V
30-0538-11	01-0770053-00	A650	-	Strobe Assembly, Modification required
30-0538-2	01-0770054-00	A650PG14	7111001	Strobe/Position Light Assembly, Green, 14V
30-0538-3	01-0770054-03	A650PR28	7111004	Strobe/Position Light Assembly, Red, 28V
30-0538-4	01-0770054-01	A650PG28	7111003	Strobe/Position Light Assembly, Green, 28V
30-0815-()	01-0750139-()	A512A()	-	Strobe Tube & Socket Assembly
30-1329-()	01-0790029-()	90029()	-	Strobe/Position Light Assembly
30-0863-1	01-0770239-()	70239()	-	Strobe/Position Light Assembly
30-1331-()	01-0790028-()	D90028()	-	Strobe Light Head
30-1467-()	01-0790028-()	D90028()	-	Strobe Light Head
30-1661-()	01-0770486-01/-02	7048601/7048602	-	Navigation Light/Position Light used on Fairchild Metros
31-2645-1	02-0250274-00	A427	-	Flash-Tube Assembly
36170-()	01-0770190-()	C70190()	71144 series	Goose Neck Light
40-0100-()	01-0790044-()	90044()	90088 series	Flasher Beacon
40-0117-()	01-0790044-()	90044()	90088 series	Flasher Beacon
40-0127-()	01-0790044-()	90044()	90088 series	Flasher Beacon
40-0129-()	01-0770029-()	HRCFA()	70900 series	Self-Contained Strobe Light
55-0069-1	27-0270383-00	W55-0069-1	-	Motor, 28V
55-0221-1	36-0170384-01	W55-0221-1	-	Strobe Tube, Pyrex
55-0221-5	36-0170384-02	W55-0221-5	-	Strobe Tube, Quartz
55-0331-3	36-0170386-01	W55-0331-3	-	Strobe Tube, Quartz
55-0681-7	36-0170387-01	W55-0681-7	-	Strobe Tube, Quartz
55-0723-1	36-0170388-01	W55-0723-1	-	Strobe Tube, Quartz
60-1431-1	01-0770028-05	HDACF	-	Power Supply
60-1431-3	01-0770028-05	HDACF	-	Power Supply
60-1592-5	01-0770028-05	HDACF	-	Power Supply
60-1592-11	01-0770028-05	HDACF	-	Power Supply
60-1750-1	01-0790079-04	90079-04	-	Power Supply, MS Connectors
60-1750-3	01-0790079-04	90079-04	-	Power Supply, MS Connectors
60-2471-3	01-0790080-01	90080-01	-	Power Supply
60-2799-()	01-0790101-05	90101-05	-	Power Supply, Wingtip mount
60-2836-1	01-0770028-05	HDACF	-	Power Supply
60-2927-1	01-0770028-05	HDACF	-	Power Supply
626	34-0070389-00	W626	-	Reflector Lamp, 6.2V, 40W
628	34-0070373-02	W628	-	Reflector Lamp, 26.5V, 26W
632	34-0070375-01	W632	-	Lamp, Taillight, 28V
674	34-0070374-01	W674	-	Lamp, Reading Light, 28V
678	34-0070391-01	W678	-	Lamp, Taillight, 28V
684-24	34-0070392-01	W68424	-	Reflector Lamp, 28V, 40W
692	34-0270398-9H	W692	-	Lamp, D.C. Bayonet, 28V, 25W

WHELEN AEROSPACE REPLACEMENT PARTS INDEX

Figure	Description	Page	Figure	Description	Page
Tail/Empennage - Combination ACL/Position			Tail / Empennage - Vertical Stabilizer		
Figure 1	ORION™ 500 Taillight Series	2	Figure 34	Model A470A Series	16
Wingtip/Horizontal Stabilizer - Combination ACL/Position			Figure 35	Model 70509 Series	17
Figure 2	ORION 600 Wingtip Series	2	Figure 36	Model 71055 Series	17
Figure 3	ORION 650 Wingtip Series	3	Figure 37	Model 90081 Series	18
Embedded Wingtip - Combination ACL/Position			Tail / Empennage - Fuselage		
Figure 4	ORION 650E Embedded Series	3	Figure 38	Model A450 Parts	18
Wingtip/Horizontal Stabilizer - Anti-Collision			Figure 39	Model SACF Series	18
Figure 5	Model A650 Series	4	Figure 40	Model 70285 Series	19
Figure 6	Model A625 Series	4	Figure 41	Model HRCFA Series	19
Figure 7	Model 90102 & 90104 Series	4	Figure 42	Model 71080 Series	20
Figure 8	Model 90028 Series	5	Figure 43	Model 90033 Series	21
Figure 9	Model 70900 Series	6	Figure 44	Model 90044 Parts	22
Wingtip/Horizontal Stabilizer - Combination ACL/Position			Tail / Empennage - Fuselage / Tail Flood		
Figure 10	Model 70905 Series	6	Figure 45	Model 90520 Series	23
Figure 11	Model A650 PG/PR Series	7	Figure 46	Model A730—1 & —5 Series	24
Figure 12	Model A600 PG & PR Series	7	Figure 47	Model A715-1 Series	24
Figure 13	Model 90159 Citation Wingtip	8	Figure 48	Model 90095 Series	24
Figure 14	Model 90206 Series	9	Figure 49	Model 90093 Series	25
Figure 15	Model 90029 Series	9	Interior - Cargo Light / Map Light		
Figure 16	Model 71110 Series	10	Figure 50	Model 71125 Series	25
Figure 17	Model 90340 () Series	10	Figure 51	Model A360-() Series	25
Figure 18	Model 90193 () Series	11	Interior - Map Lights		
Figure 19	Model 70818 Series	11	Figure 52	Model A350 Series	26
Wingtip/Horizontal Stabilizer - Position Lights			Figure 53	Model A350CN Series	26
Figure 20	Model 71105() Series	12	Figure 54	Model 70348 Series	27
Figure 21	Model W1250PG, PR Series	12	Figure 55	Model A315-Hi Series	27
Figure 22	Model W1285 Series	12	Figure 56	Model C-70190 Series	27
Figure 23	Model 70946 Series	12	Interior - Flashers		
Figure 24	Model 90377 Series	13	Figure 57	Model 7078600 Series	28
Figure 25	Model A429 Series	13	Figure 58	Model 7078601 Series	28
Figure 26	Model A430 Series	13	Replacement Parts		
Figure 27	Model 70875 Series	13	Figure 59	Replacement Parts Lamps and Reflector Lamps	29
Tail / Empennage - Combination ACL/Position Light			Figure 60	Whelen Aerospace Replacement Parts	29
Figure 28	Model A500A Series	14	STROBE TO LED REPLACEMENT		
Figure 29	Model A555A Series	14	Replacement Listings		
Figure 30	Model 70966 Series	14	Strobe Power Supplies		
Tail / Empennage Replacement Parts - Position Lights			Cross Reference Lists:		
Figure 31	Model 71554 Parts	15	Whelen Aerospace/Aeroflash/Cessna -		
Figure 32	Model 71011 Series 14V & 28V	15	Whelen Aerospace/SDI/Hoskins -		
Figure 33	Model 70821 Series	16	Whelen Aerospace/Grimes		
					33, 34



WHELEN[®] AEROSPACE TECHNOLOGIES

AVIATION ILLUSTRATED SPARE PARTS CATALOG

Effective: January 01, 2019

SEE US ON THE ON THE WEB AT - www.flywat.com

PRICE LIST - FULL LINE CATALOG - HELICOPTER CATALOG - STC MANUAL



WARRANTY, SERVICE AND REPAIR

UNITED STATES

Whelen Aerospace Technologies
51 Winthrop Road Chester, CT 06412-0684
Tel: 860-526-9504
Fax: 860-526-2009
www.flywat.com

AVIATION TECHNICAL SUPPORT

Customer Support
860-526-9504
info@flywat.com

FACTORY REPAIR INFO

Building B
51 Winthrop Road
Chester, CT 06412-0684

Please include:

A copy of the sales receipt if qualified for warranty coverage. A short description of the problem. Your name, return address and daytime phone number.

For complete warranty and repair information,
refer to your User Direct

Whelen Aerospace Technologies © 2019.

12361G-021819

Web: www.flywat.com • Email: info@flywat.com • Whelen Aerospace 800 FAX Order Line Only: (800) 637-8762